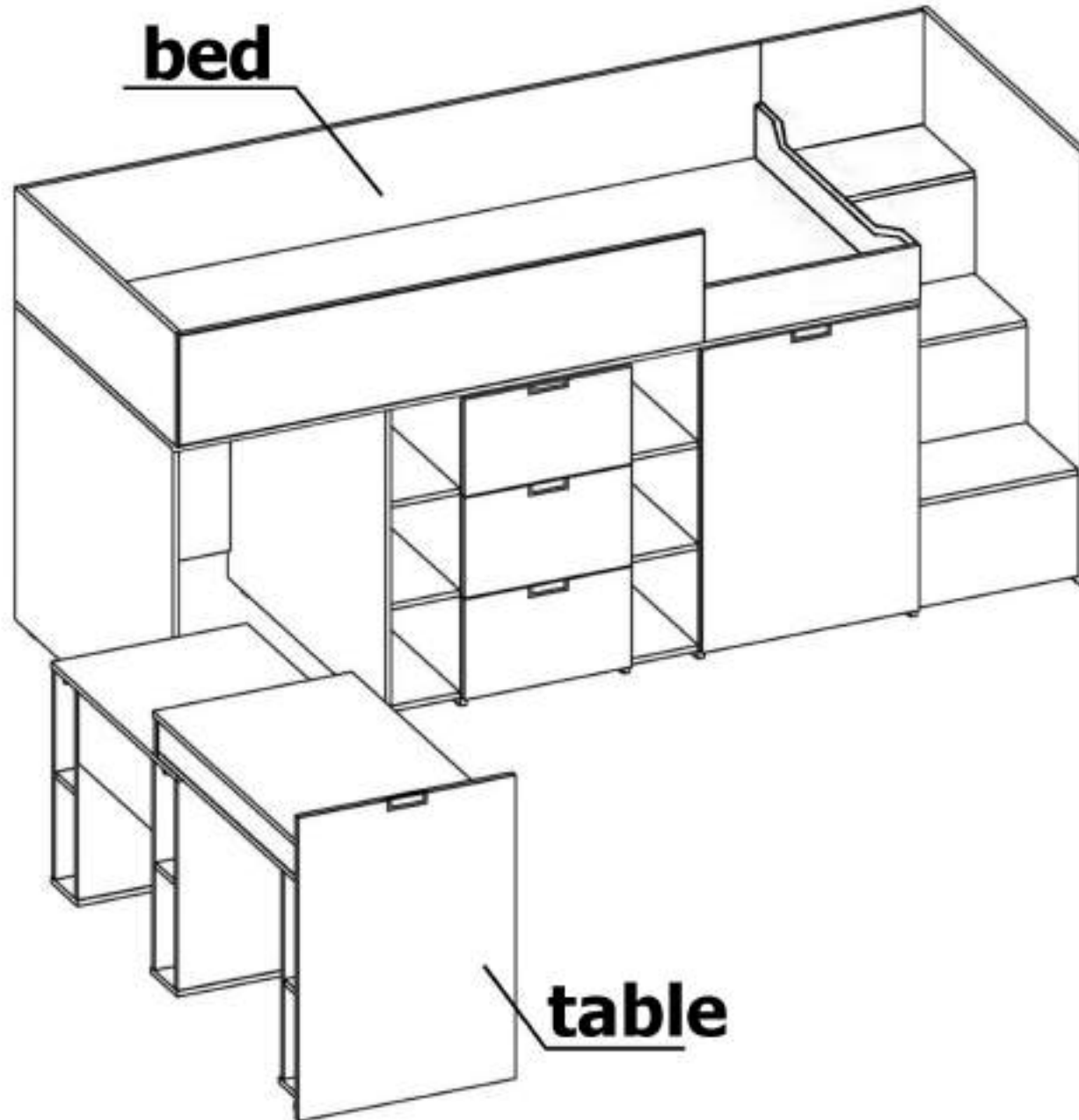

























Hochbett BERG

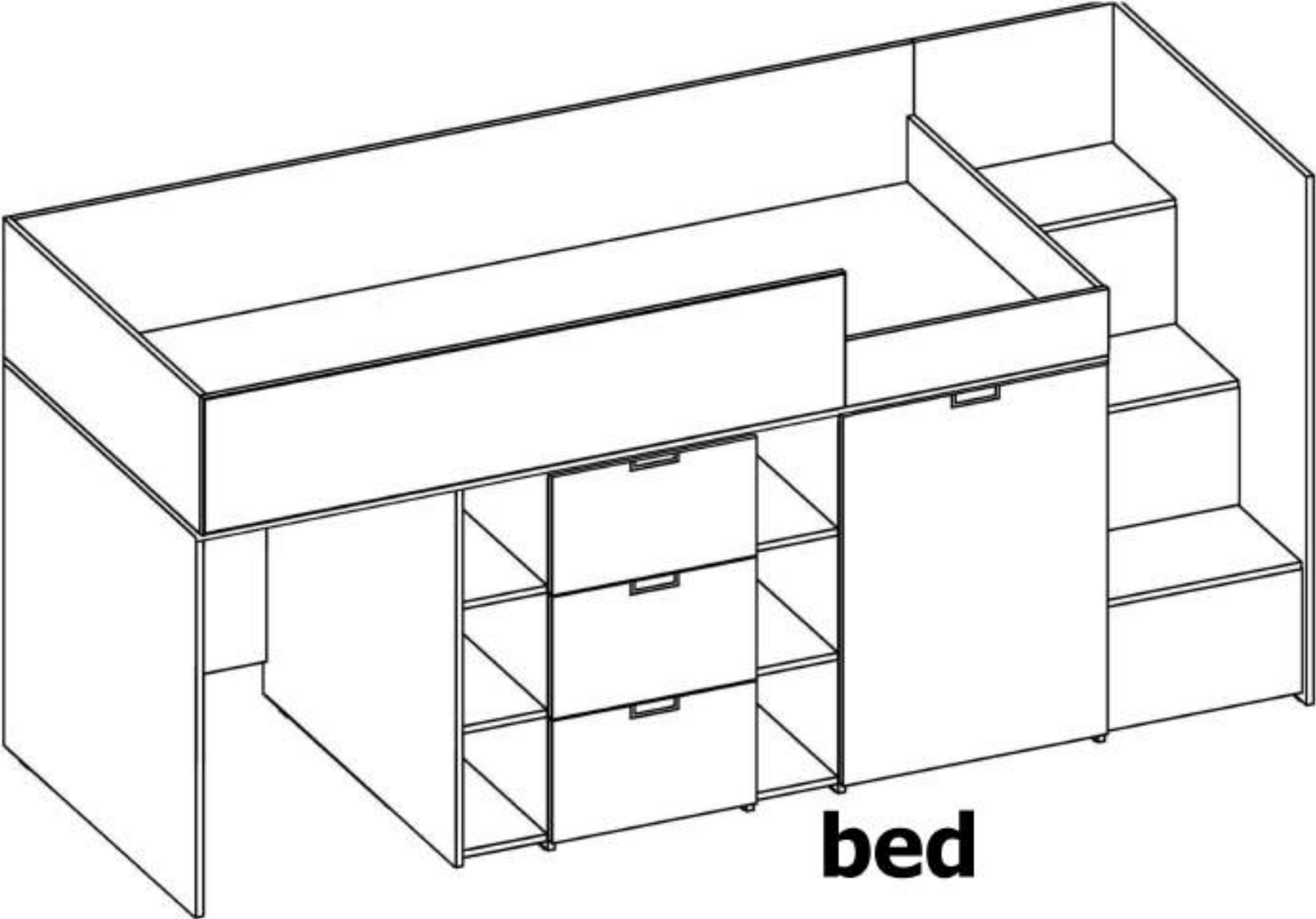


position	details		thickness	quantity
	length	width		
1	940	860	16	1
2	940	860	16	1
3	940	860	16	1
4	940	860	16	1
5	940	860	16	1
6	940	860	16	1
7	940	1190	16	1
8	209	940	16	2
9	388	150	16	1
10	568	940	16	1
11	568	300	16	2
12	568	90	16	1
13	446	292	16	1
14	446	292	16	1
15	446	308	16	2
16	446	308	16	2
17	446	274	16	3
18	438	313	16	3
19	568	815	16	1
20	2040	940	16	1

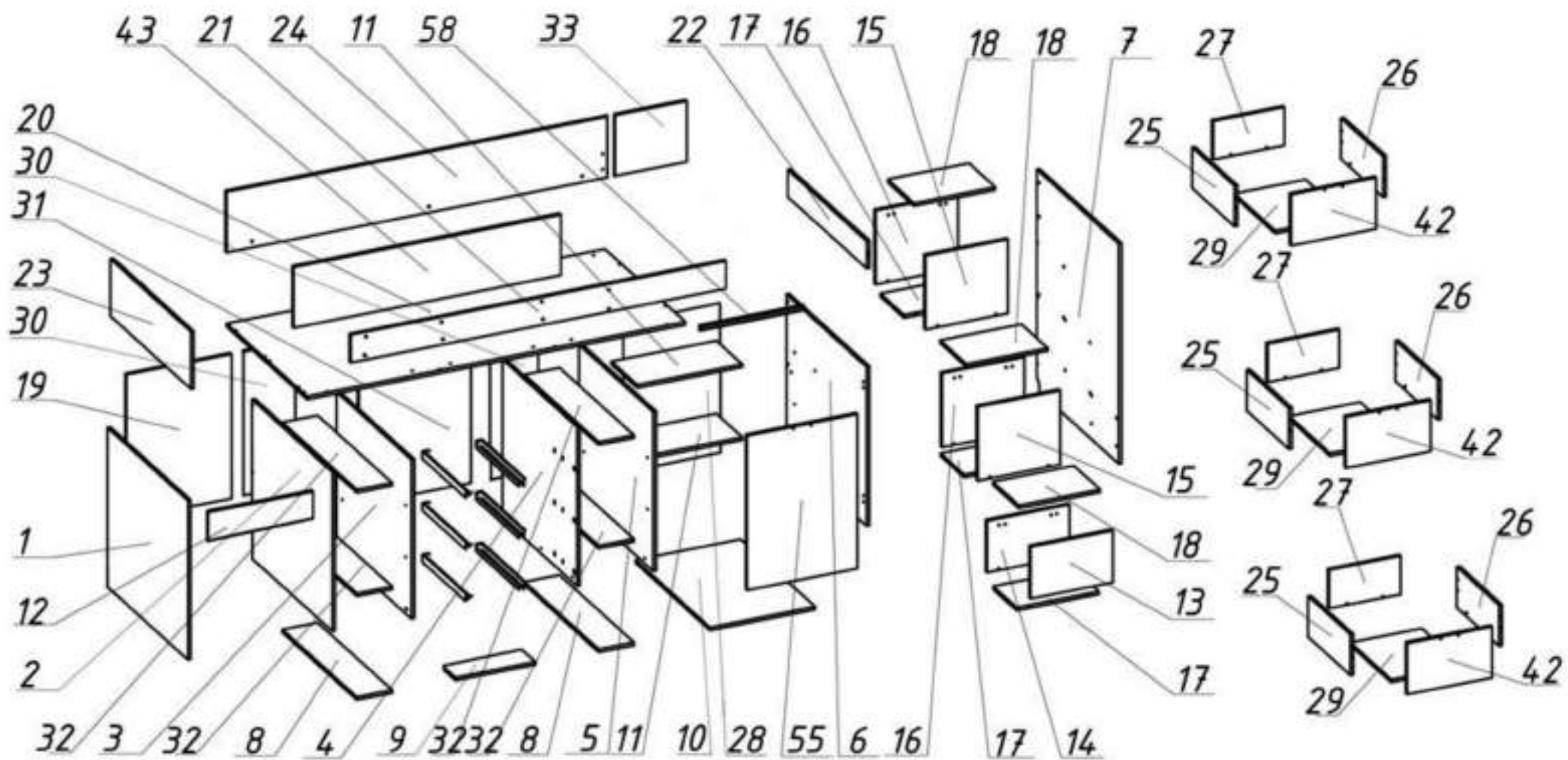
position	details		thickness	quantity
	length	width		
21	2022	152	16	1
22	908	150	16	1
23	940	316	16	1
24	2024	316	16	1
25	490	210	16	3
26	490	210	16	3
27	346	200	16	3
28	568	799	16	1
29	474	346	16	3
30	209	799	16	2
31	388	815	16	1
32	209	922	16	4
33	446	316	16	1
34	528	451	16	2
35	880	120	16	1
36	528	451	16	1
37	528	451	16	1
38	150	530	16	2
39	526	116	16	3
40	407	200	16	1

position	details		thickness	quantity
	length	width		
41	708	533	16	1
42	420	268	16	3
43	1436	316	16	1
44	923	533	16	1
45	530	149	16	1
46	600	817	16	1
47	528	164	16	1
48	440	90	16	1
49	440	90	16	1
50	846	80	16	1
51	846	424	16	1
52	528	164	16	1
53	164	888	16	1
54	923	533	16	1
55	600	817	16	1
56	446	150	16	1
57	528	480	16	2
58	2040	470	16	1
58	560	30	15	1

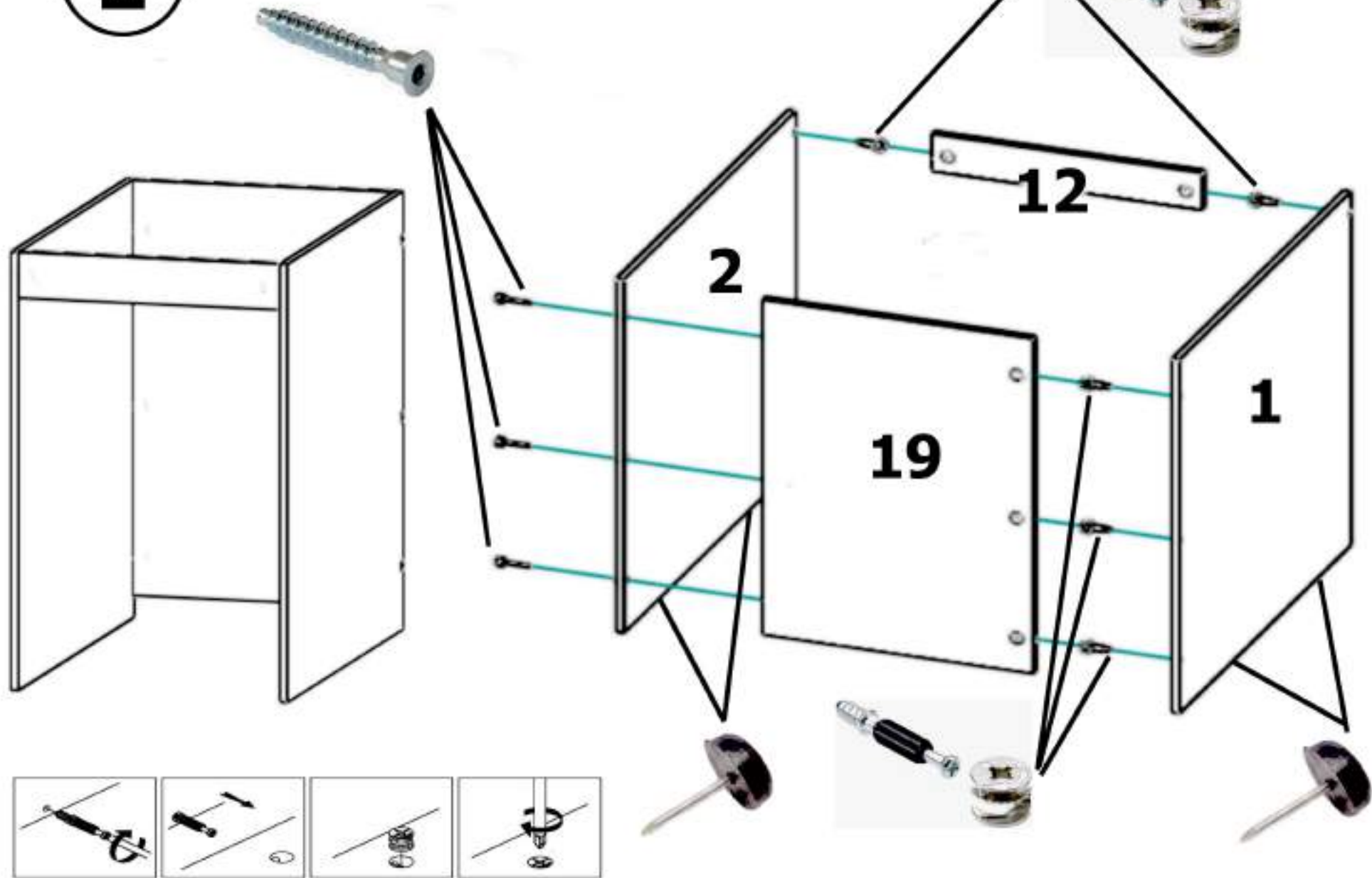
	unit	quantity		unit	quantity
 (6x25)	pcs	8	 500mm	set	3
	pcs	8	 450mm	set	1
	pcs	14		pcs	8
	pcs	110		pcs	5
	pcs	110		pcs	1
 	pcs	110		pcs	6
	pcs	166	 (6.3x13)	pcs	8
 	pcs	166	 (4x16)	pcs	64
	pcs	5	 (3.5x13)	pcs	4
	pcs	2		pcs	1
	pcs	2			



bed



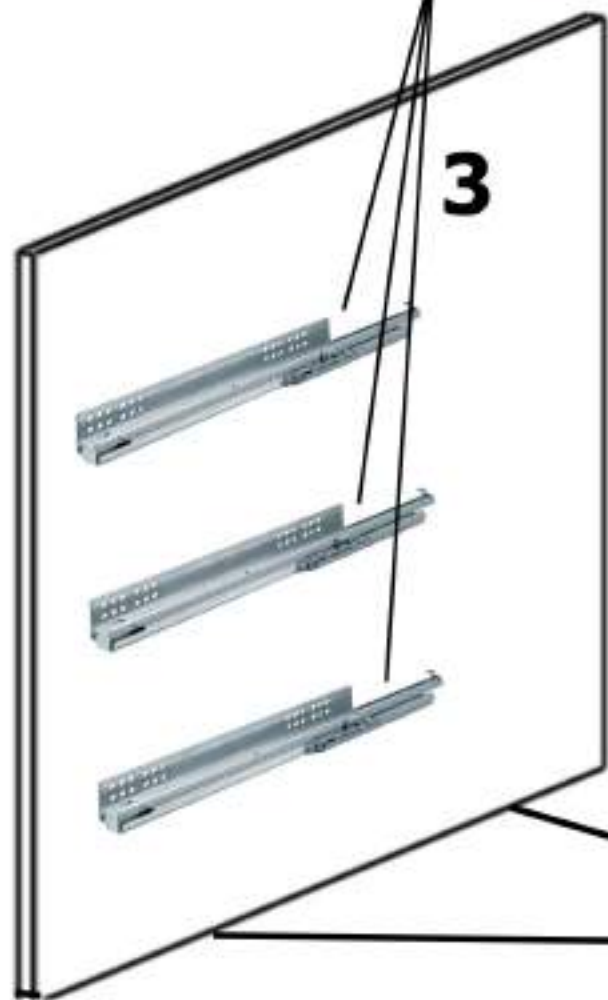
1



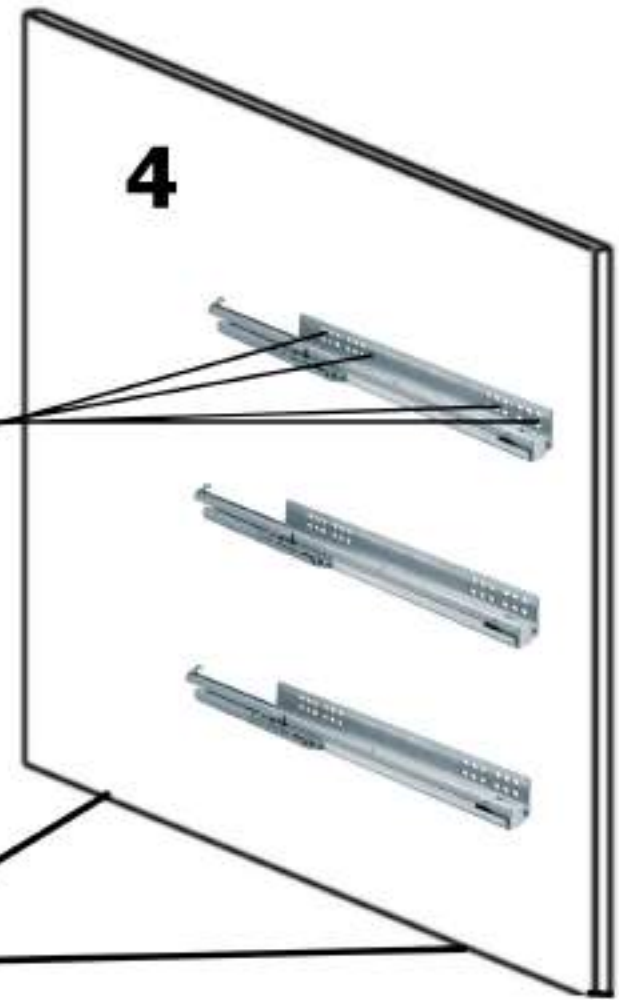
2



500 mmL*3



3



4

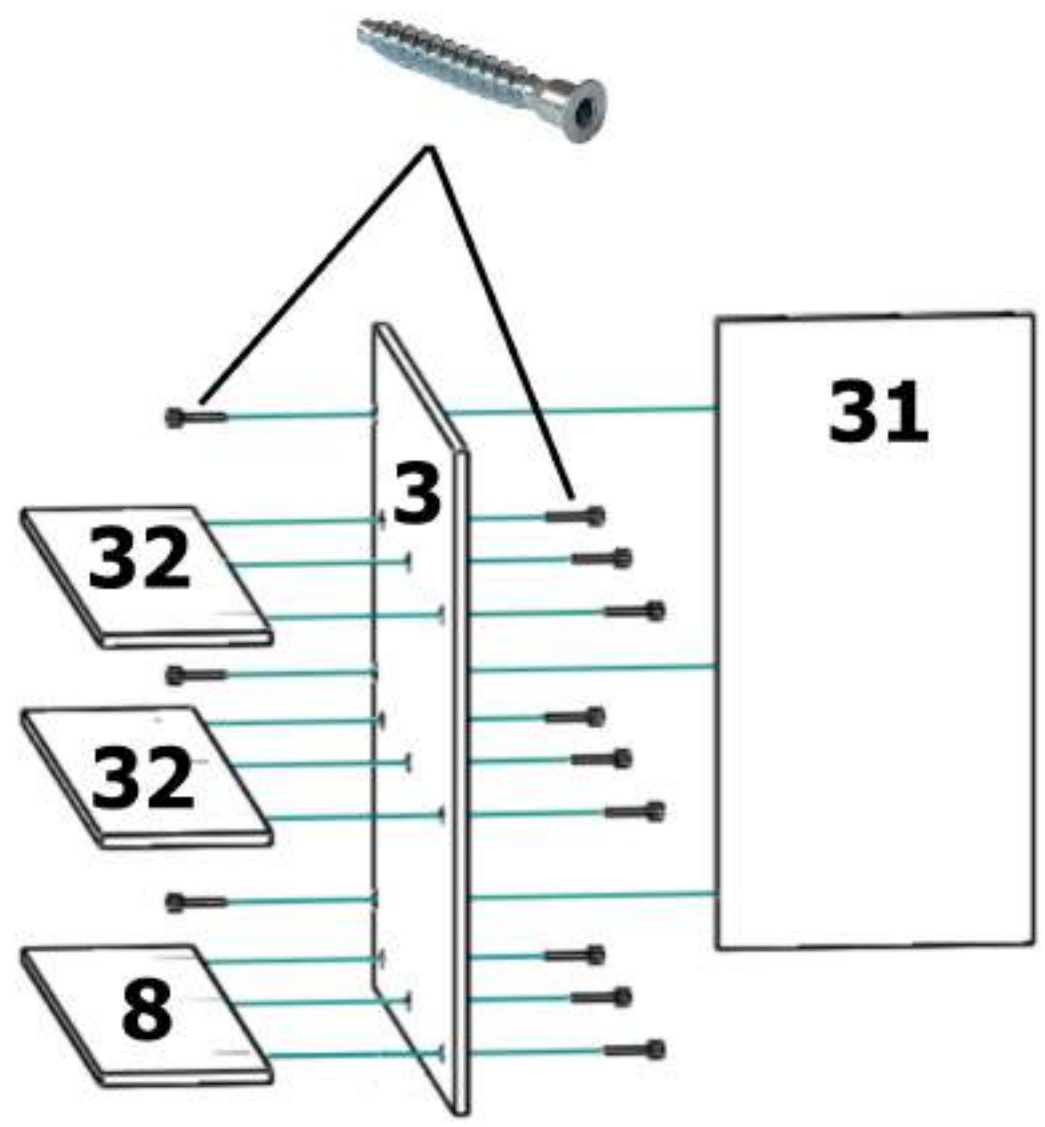
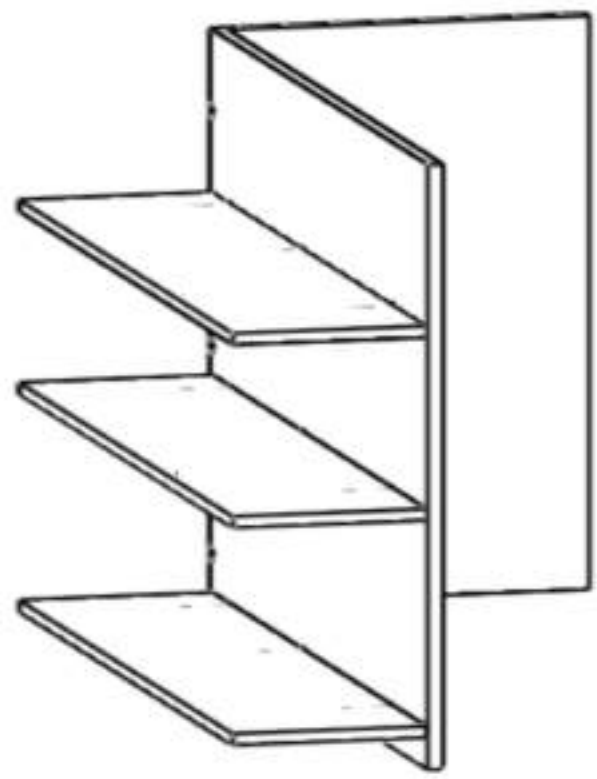


4

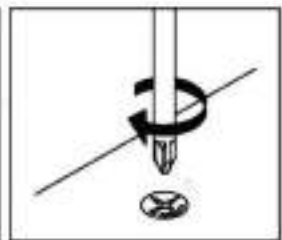
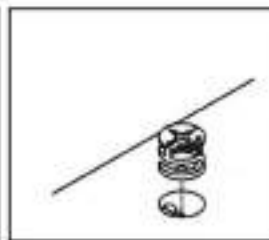
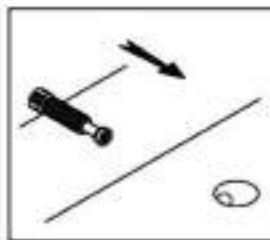
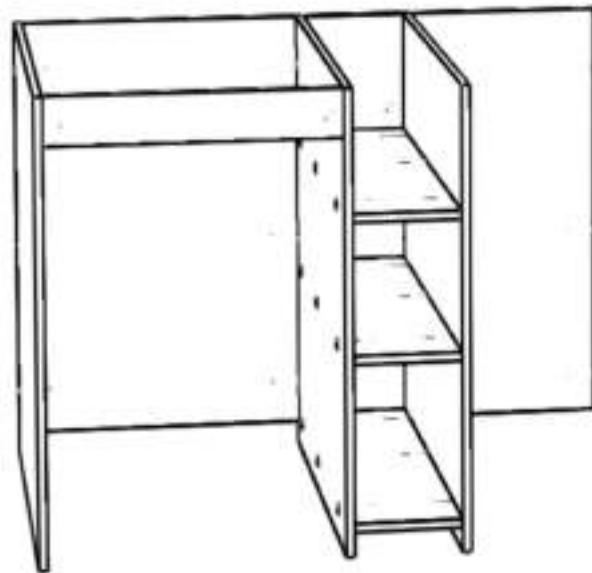
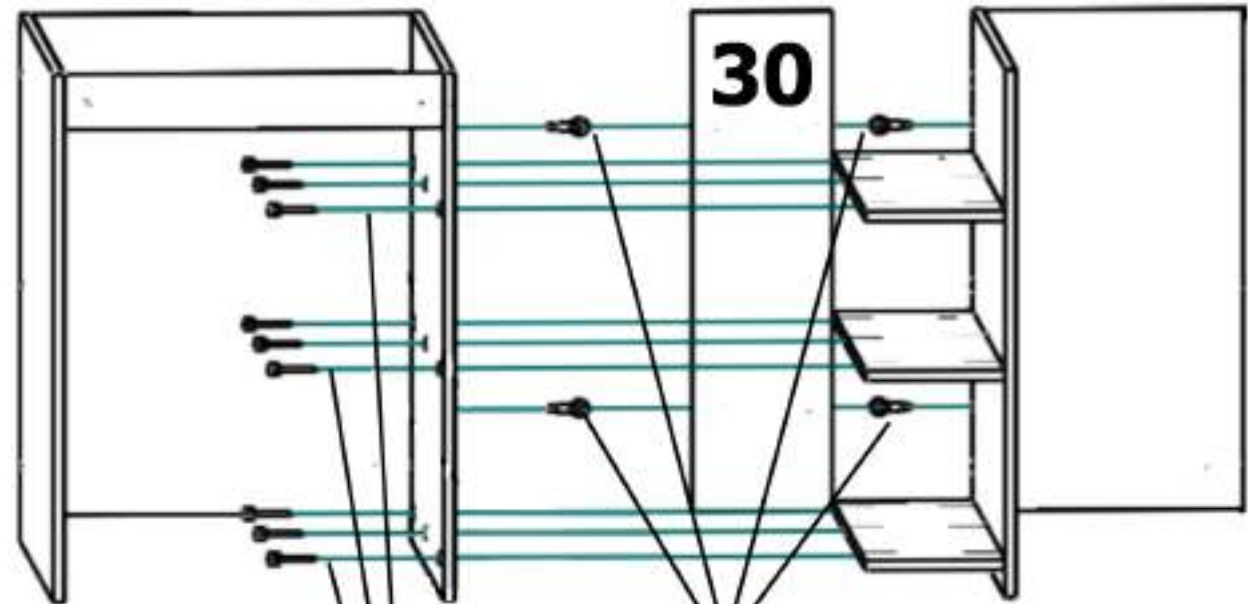
4x16



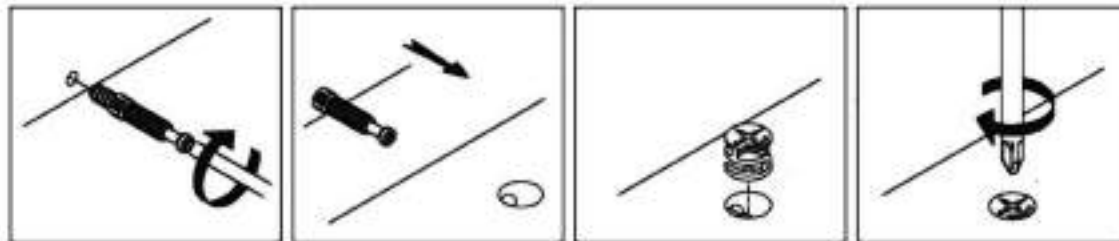
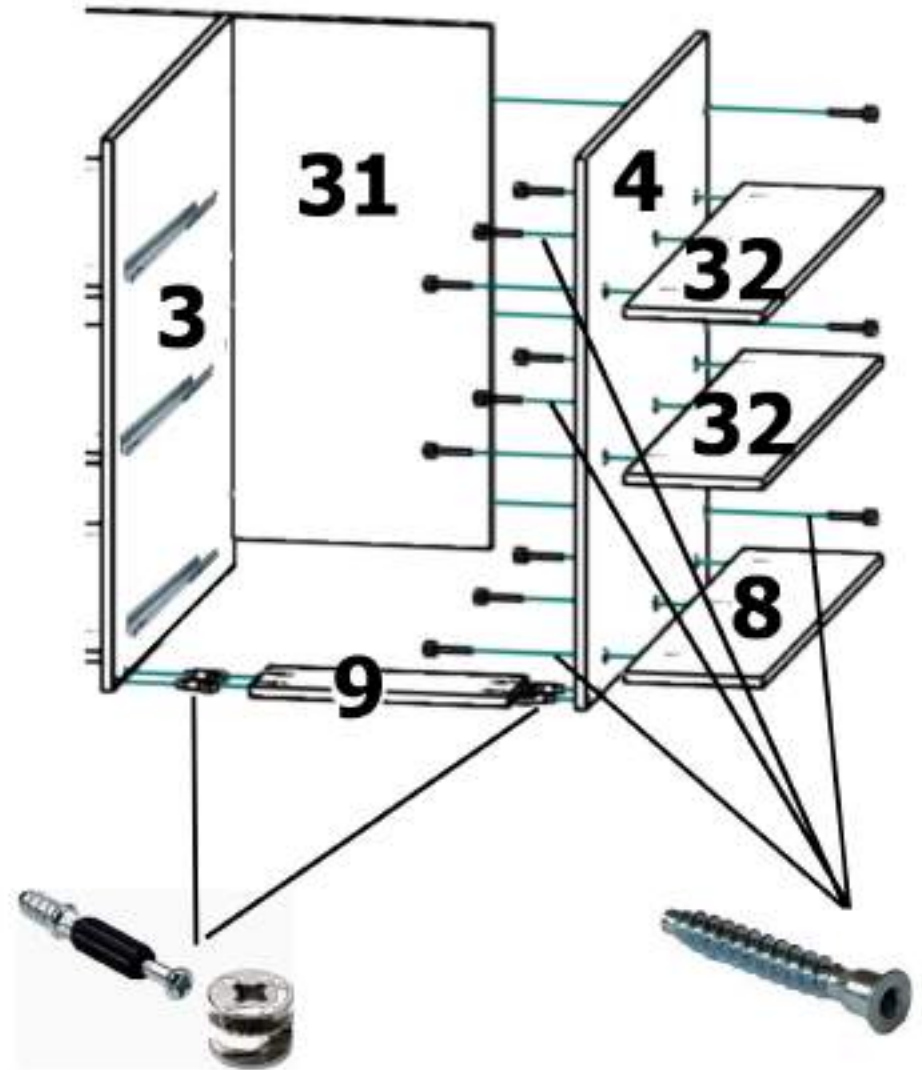
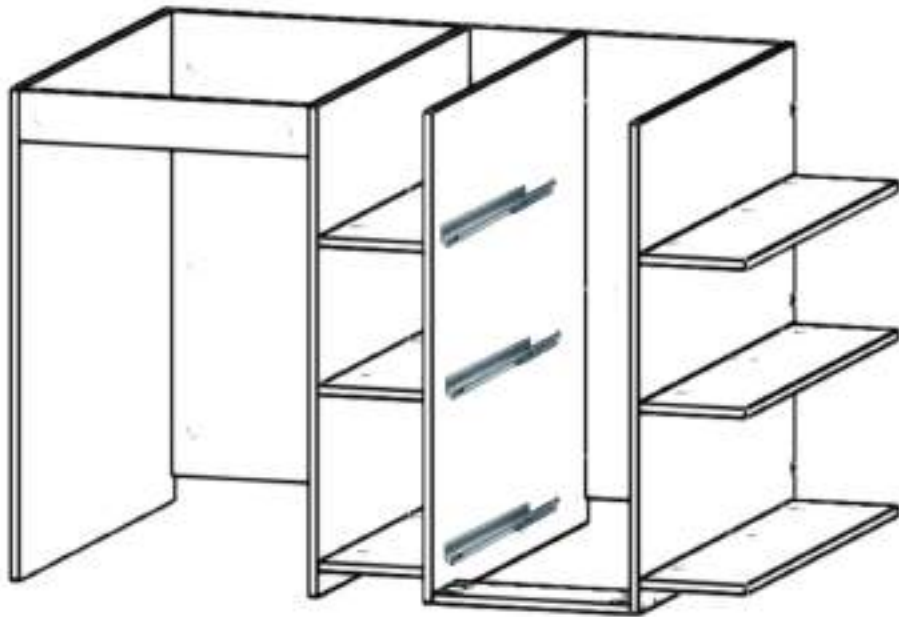
3



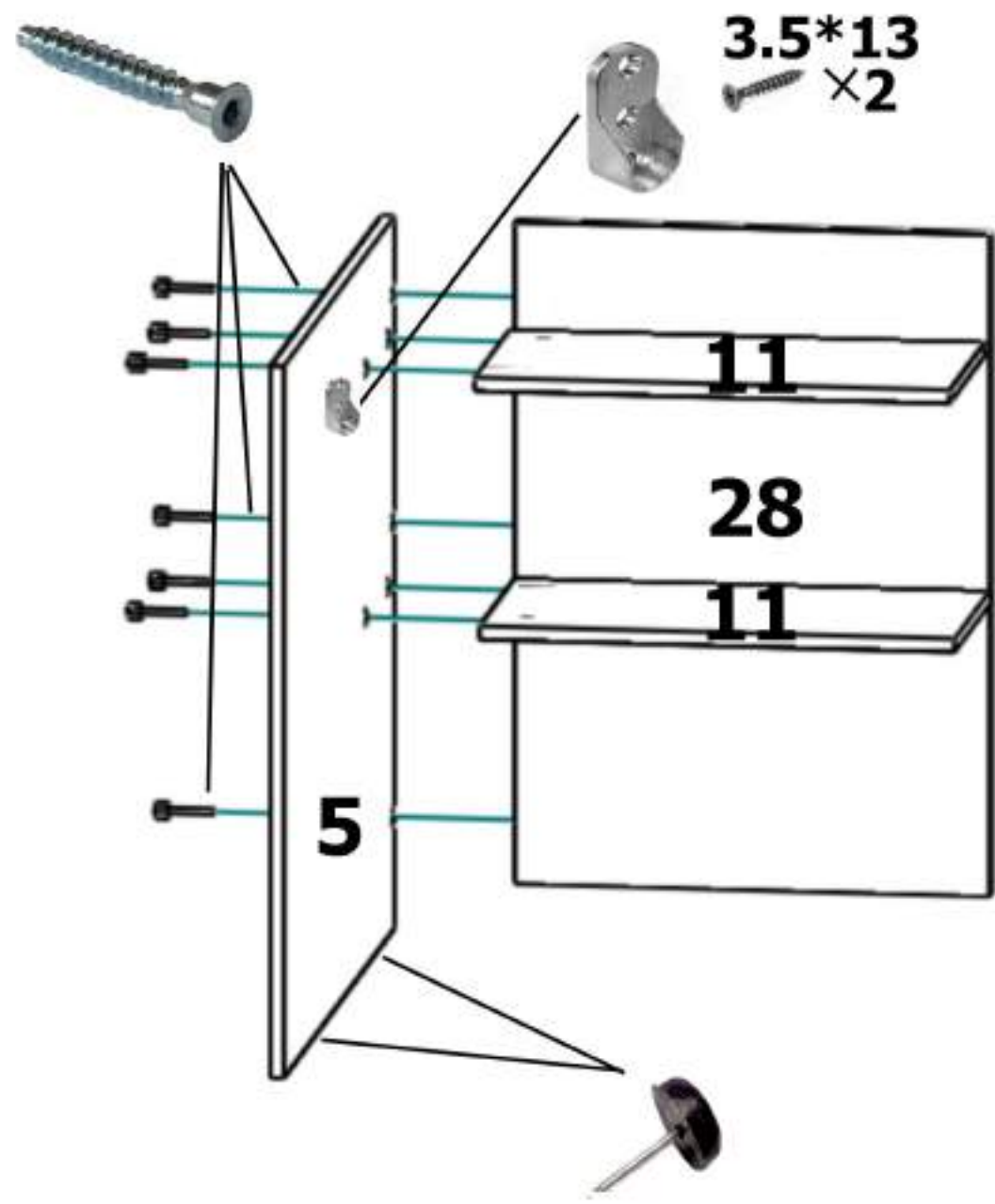
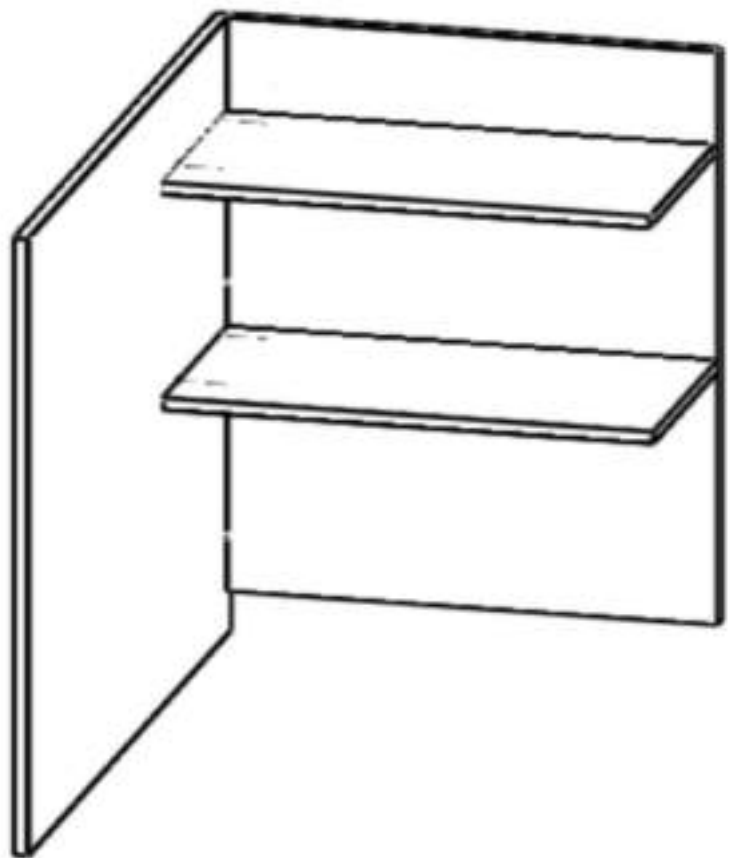
4



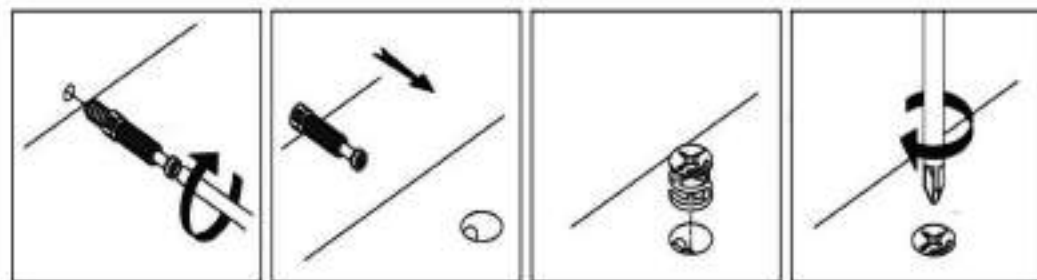
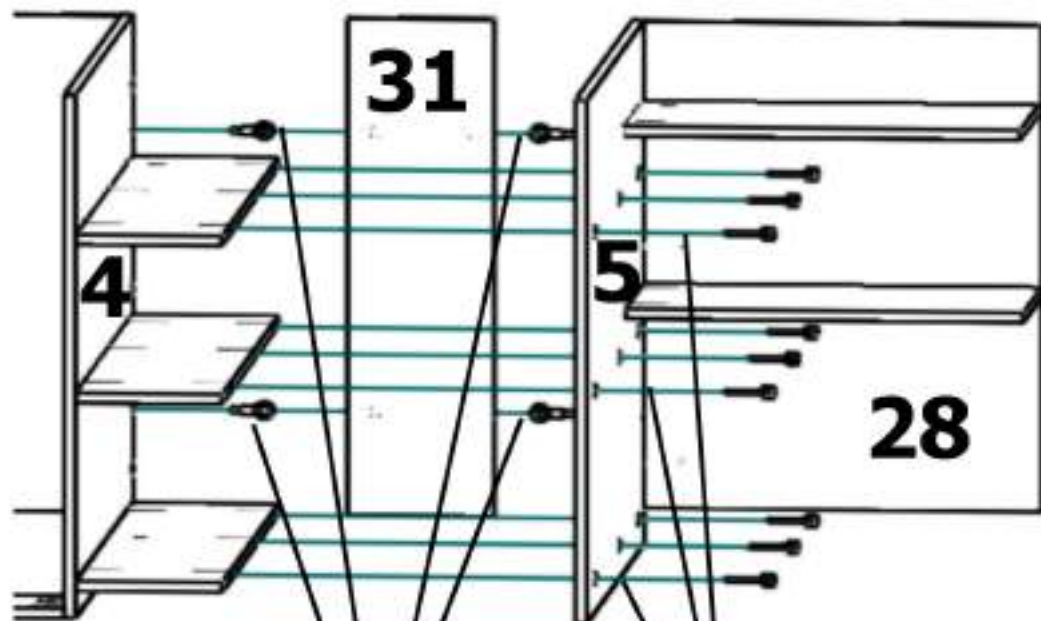
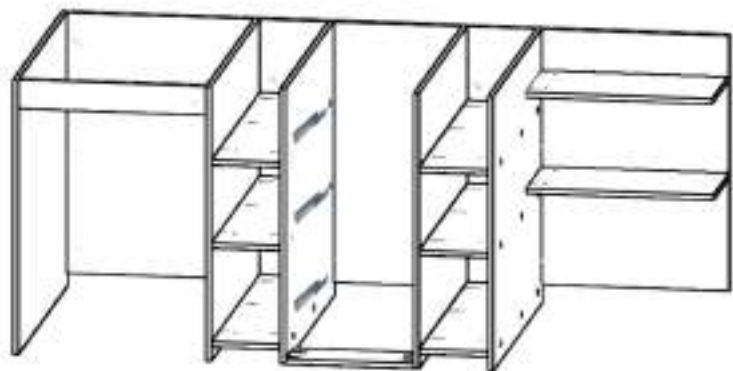
5



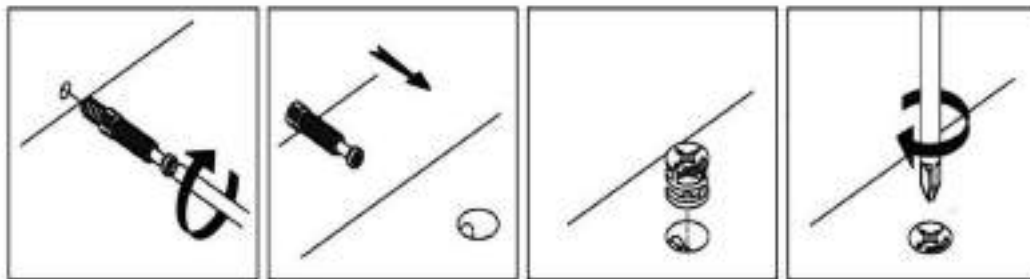
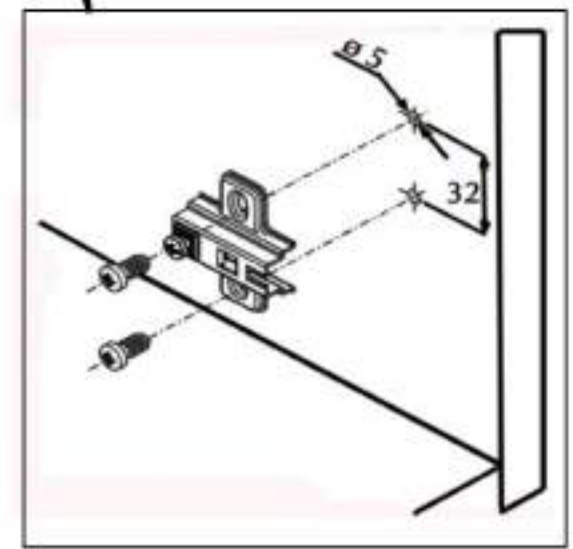
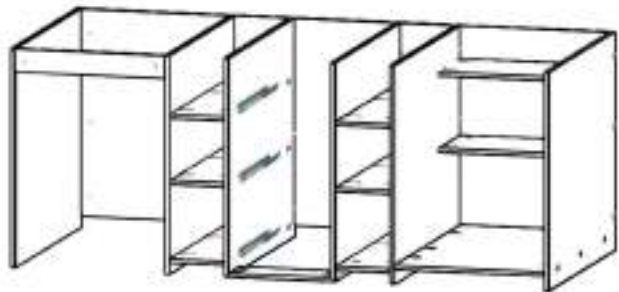
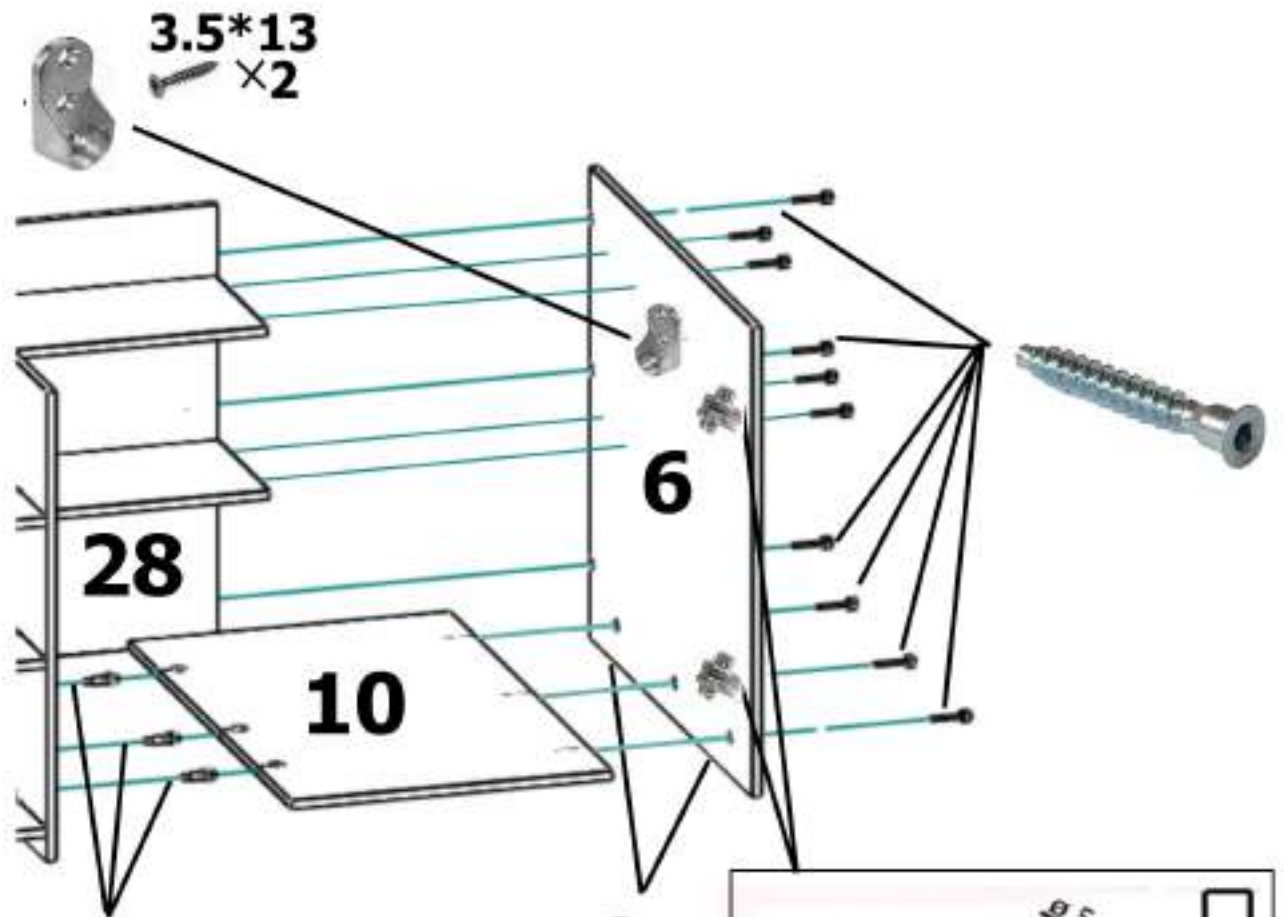
6



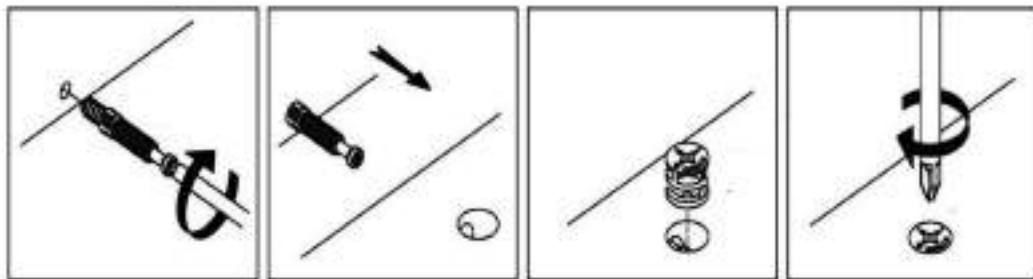
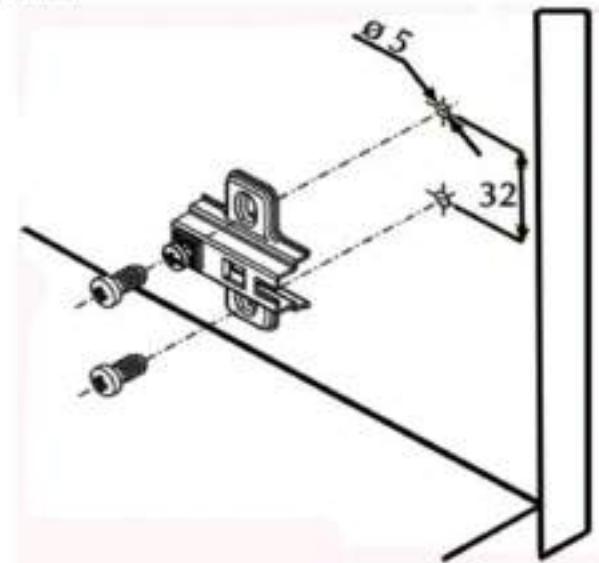
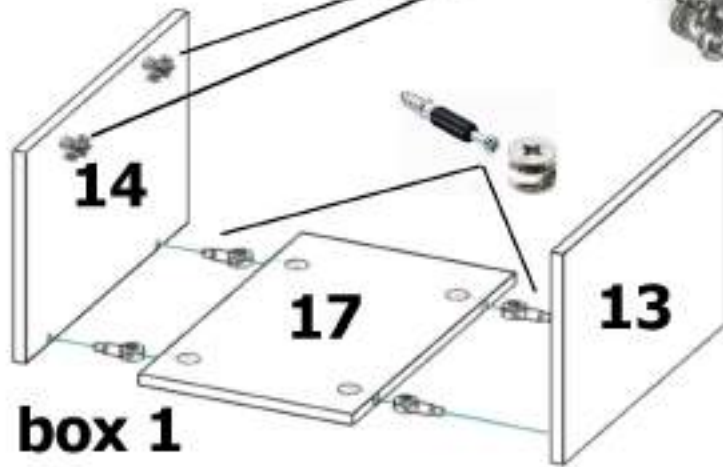
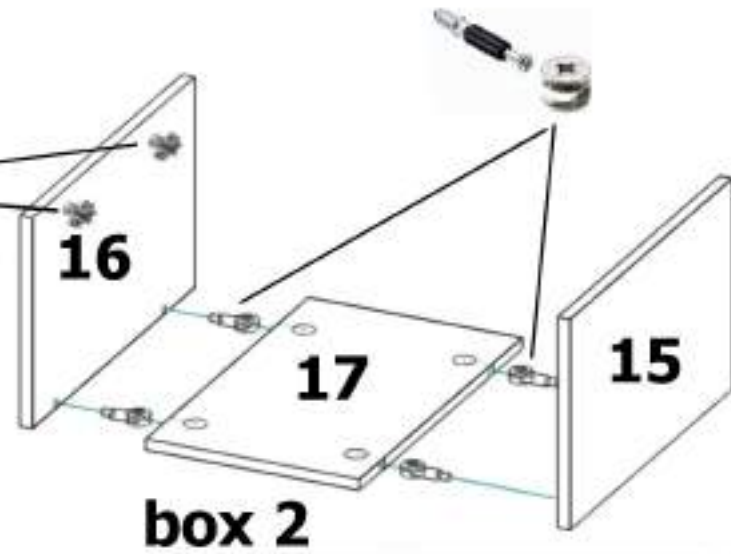
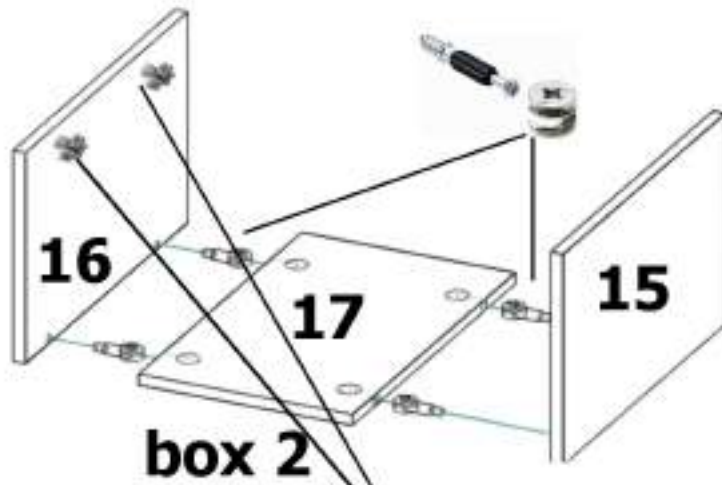
7



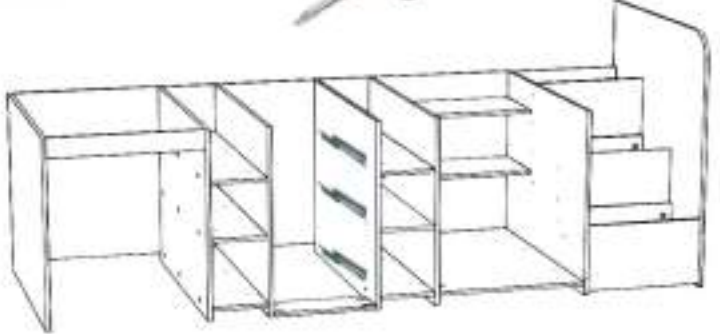
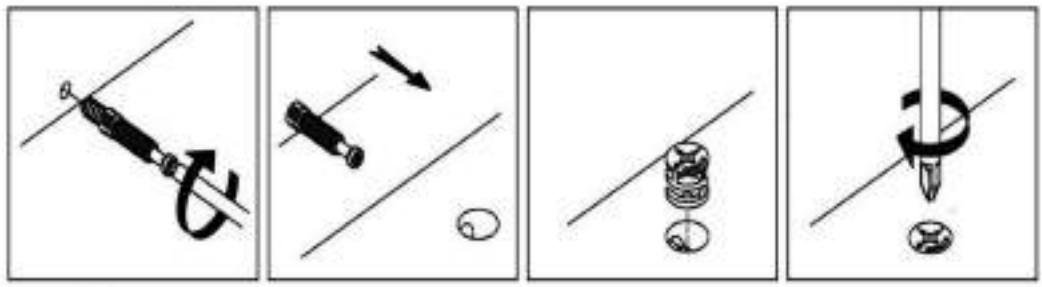
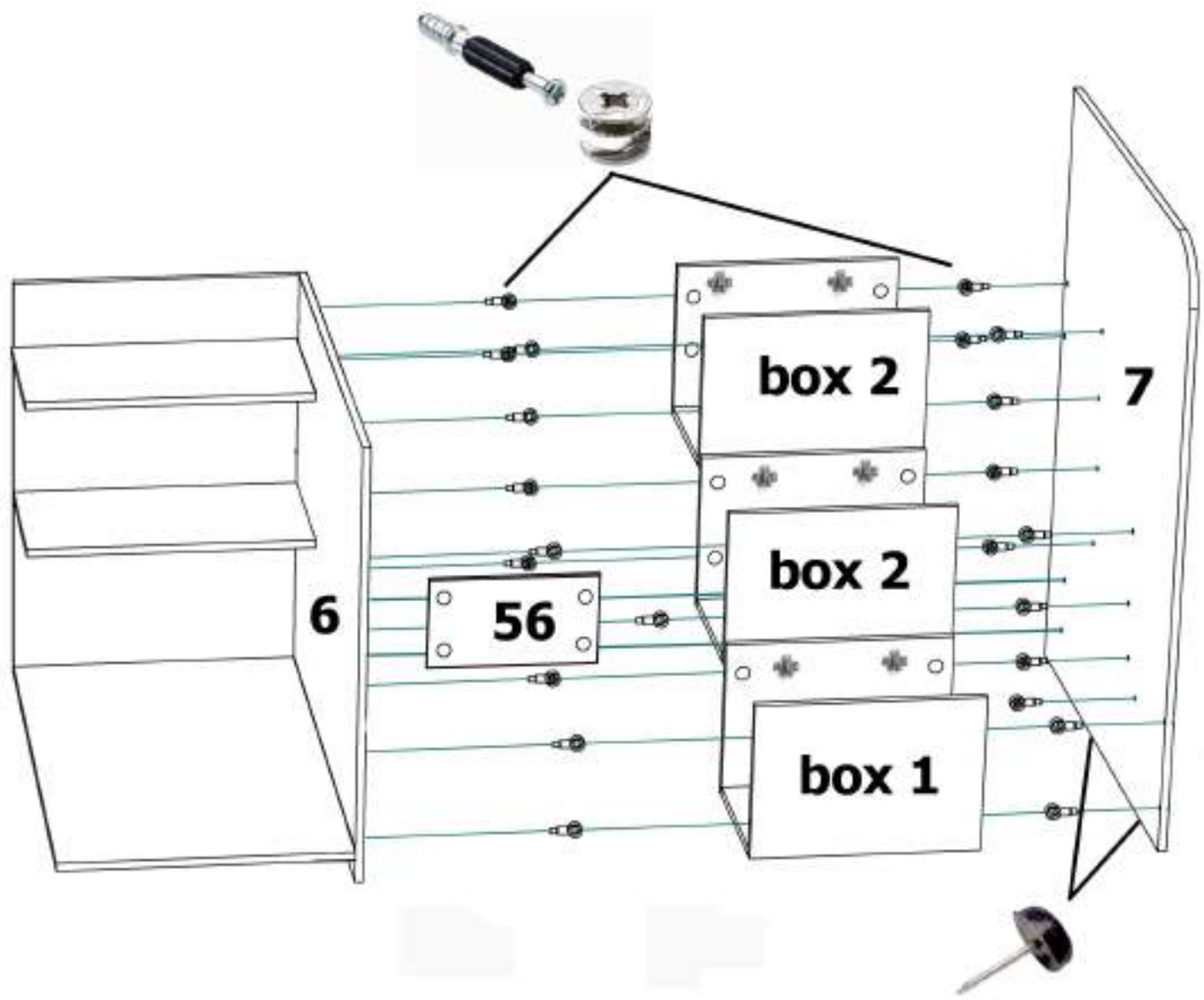
8



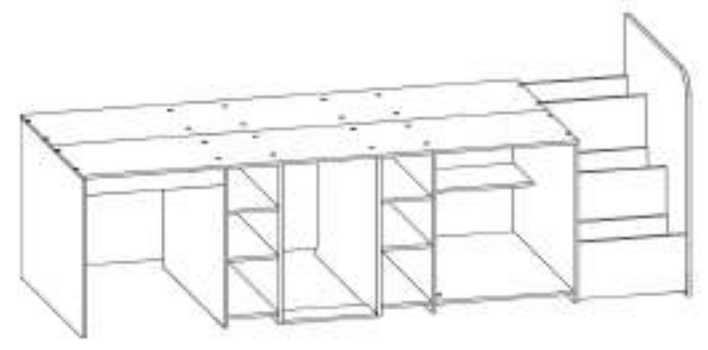
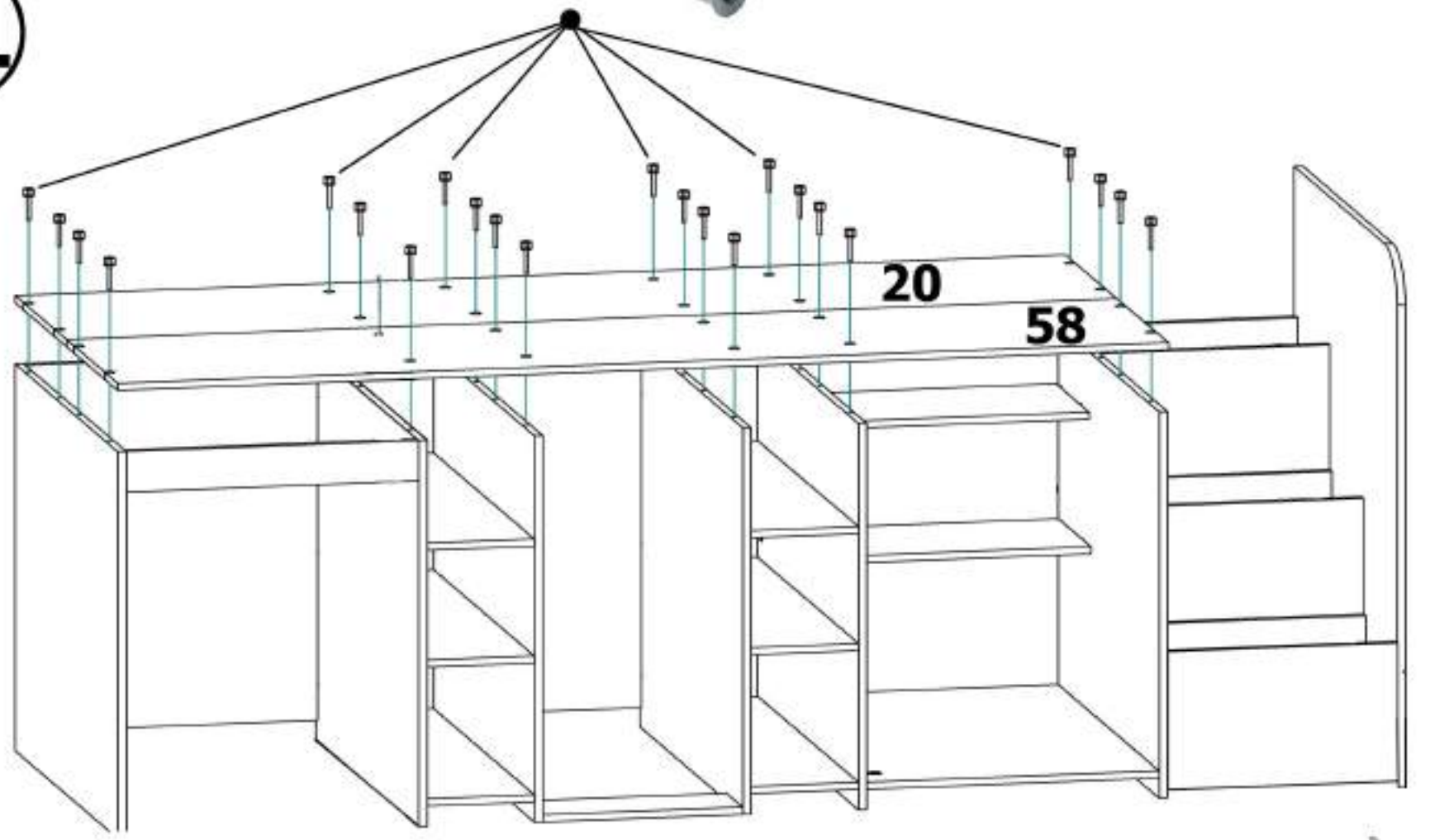
9



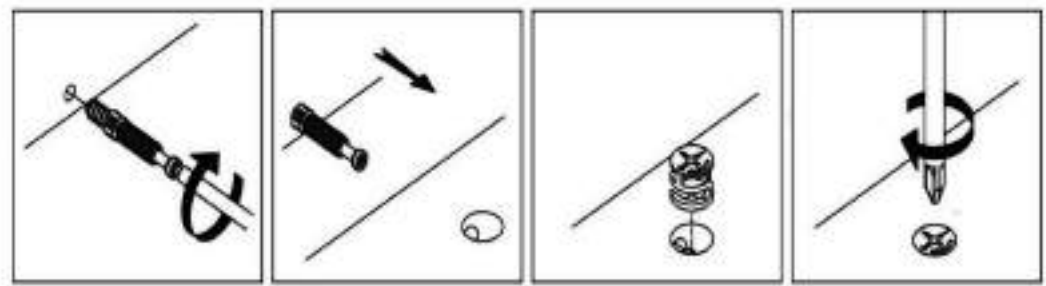
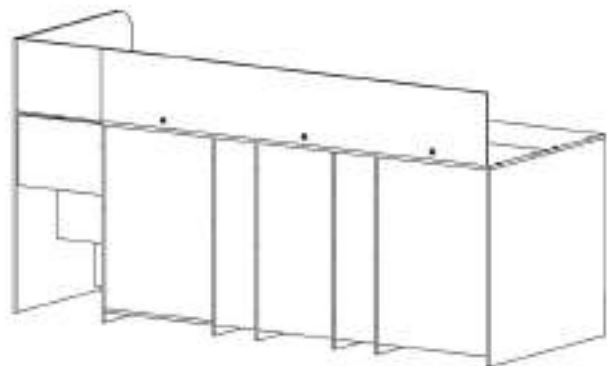
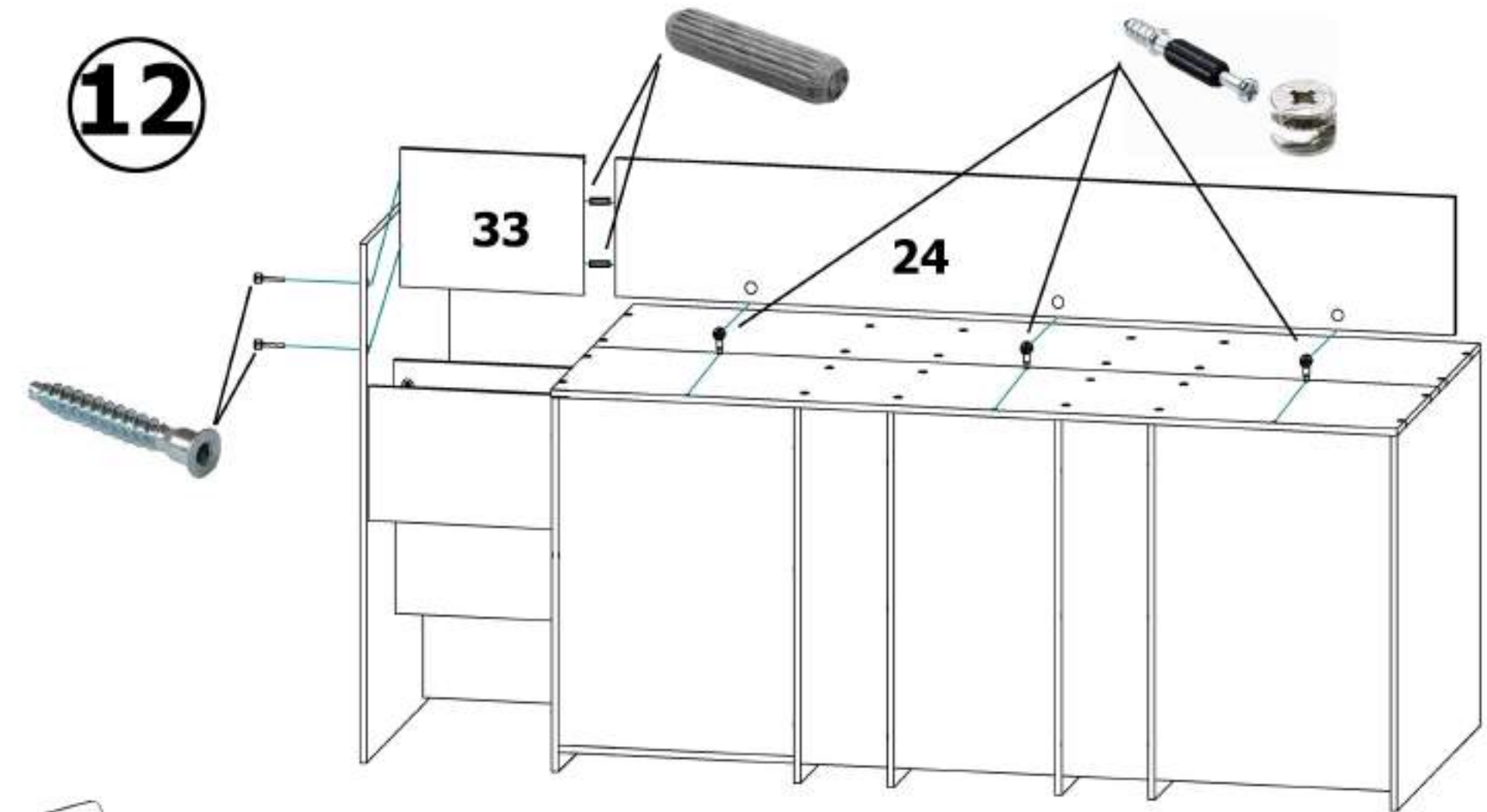
10



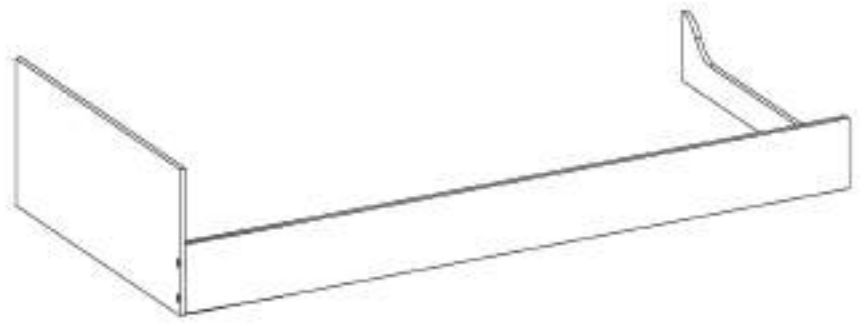
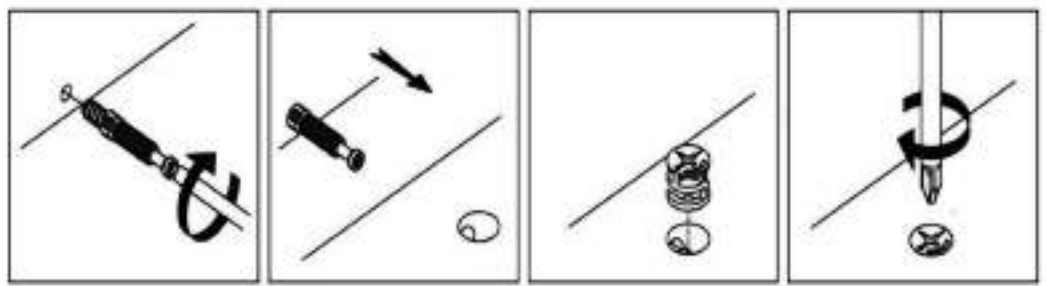
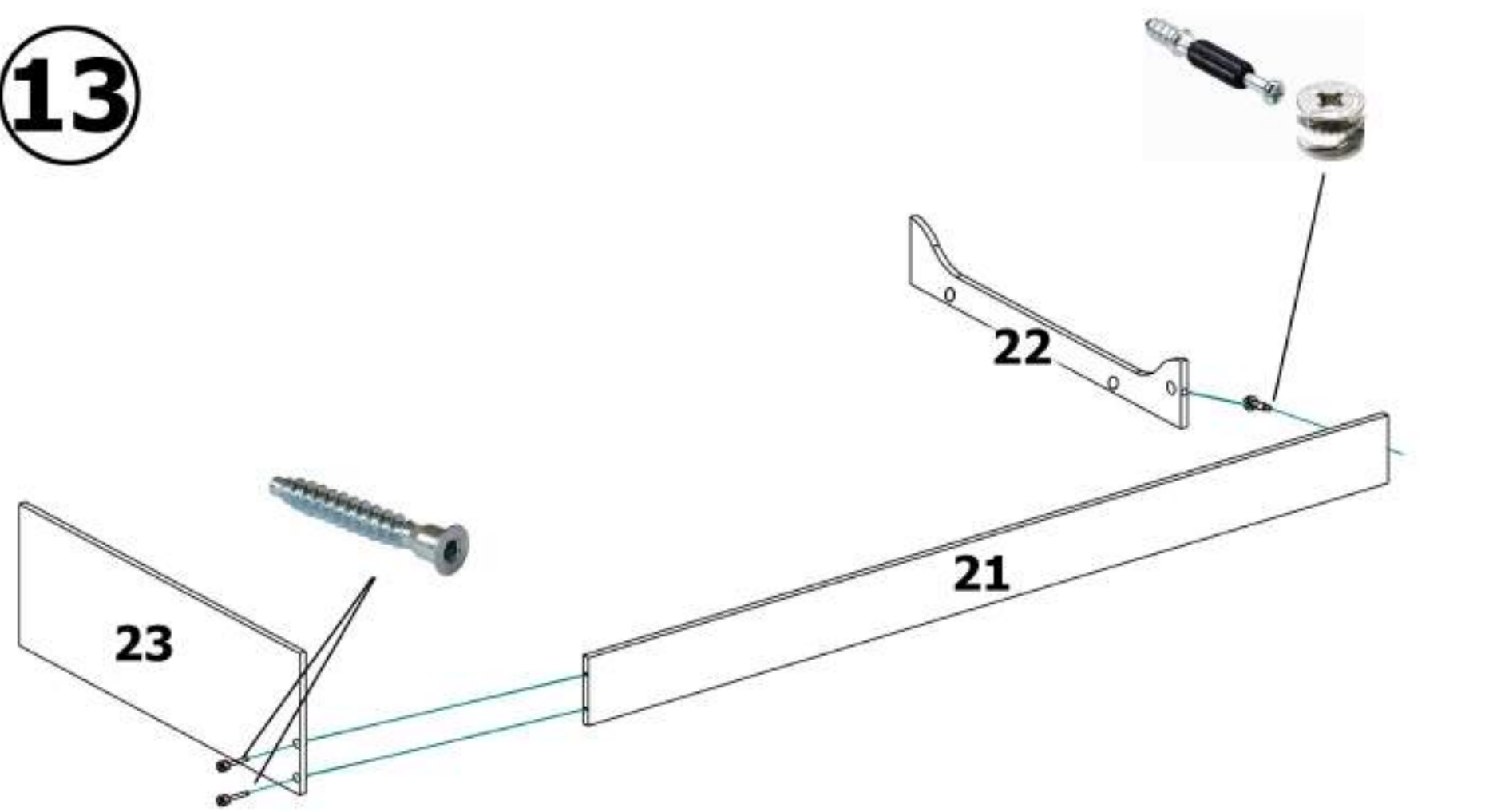
11



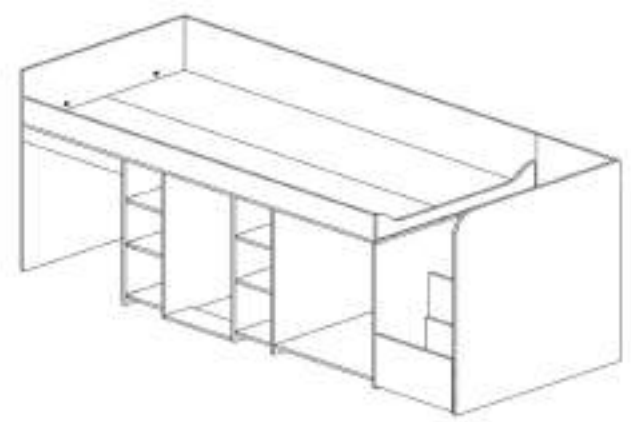
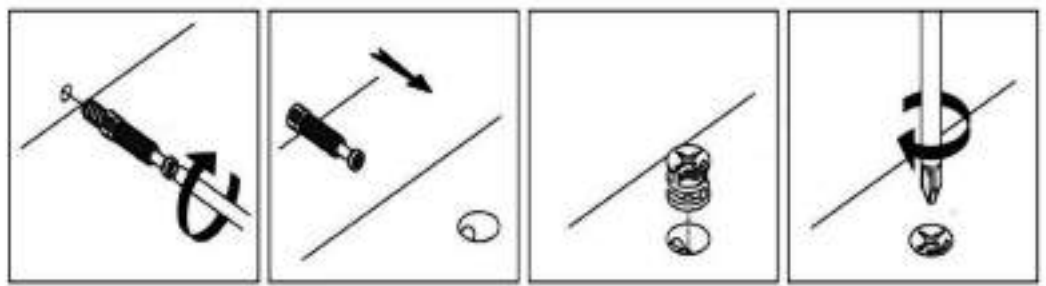
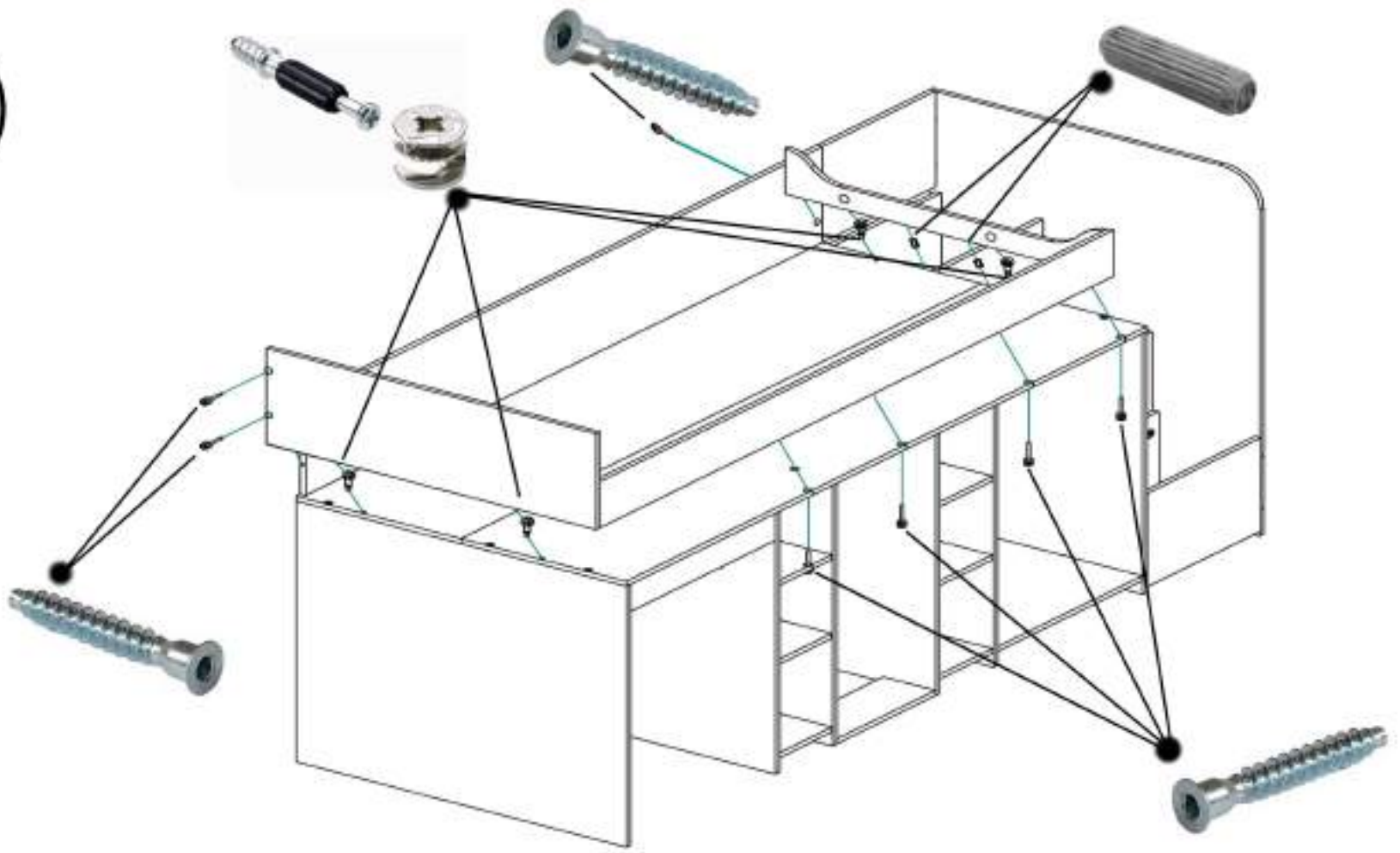
12



13

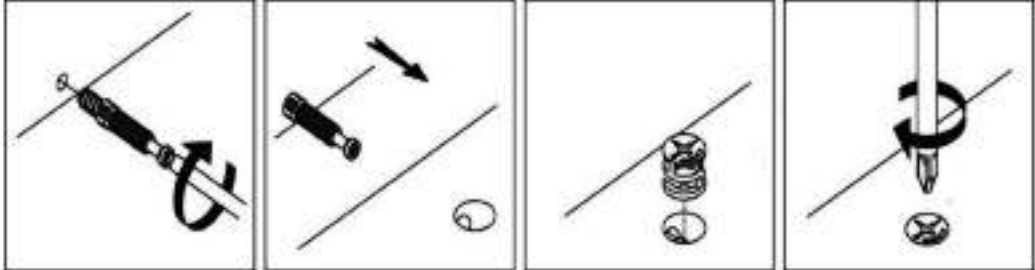
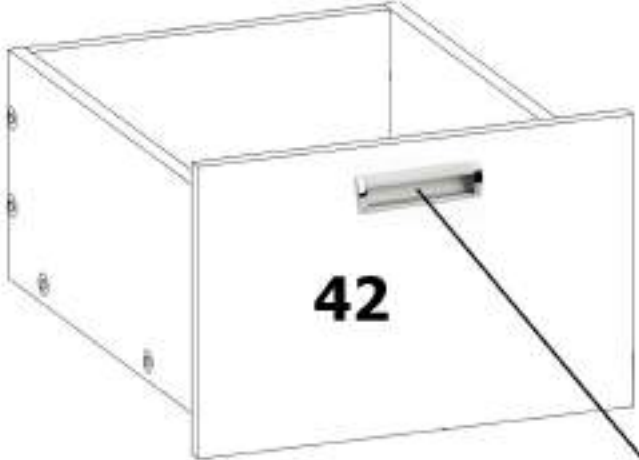
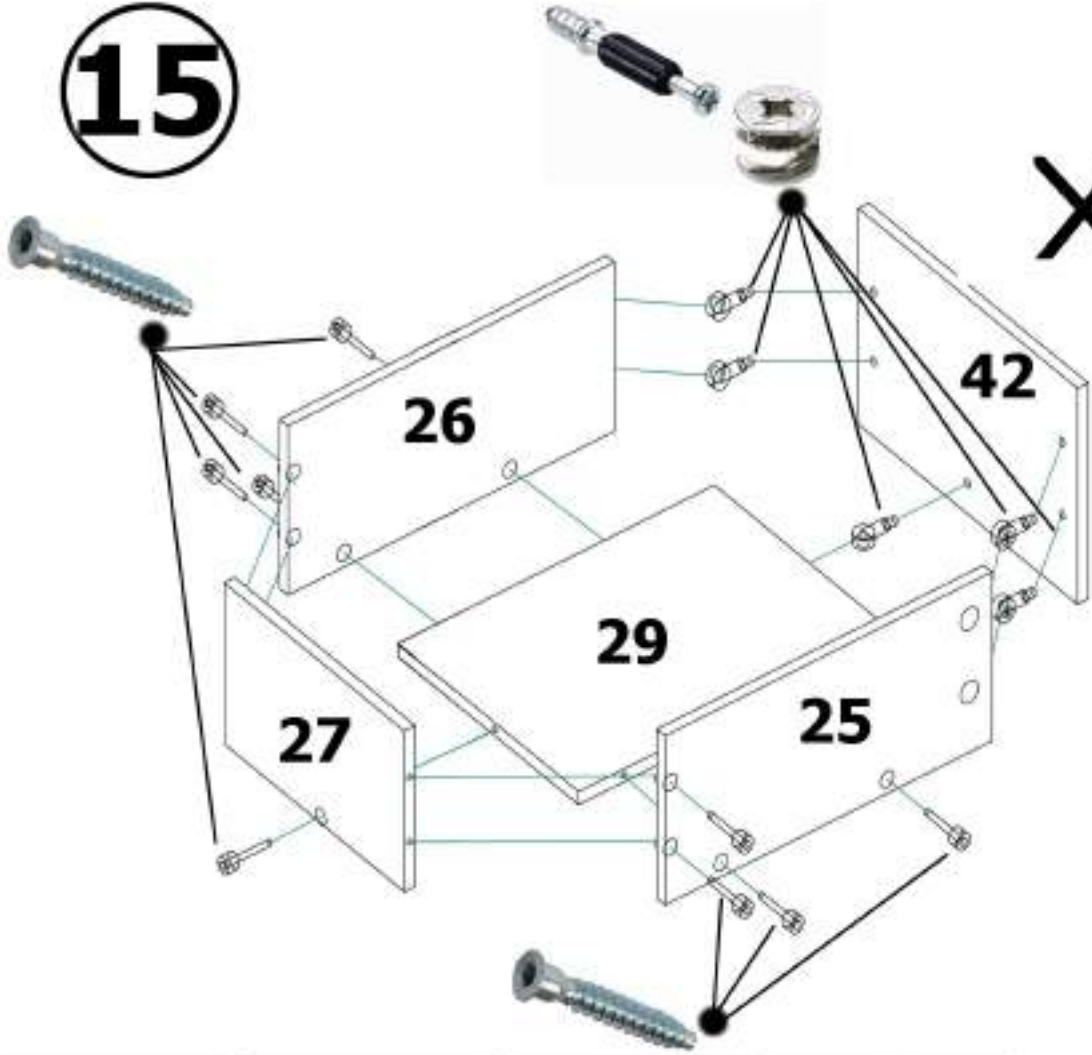


14

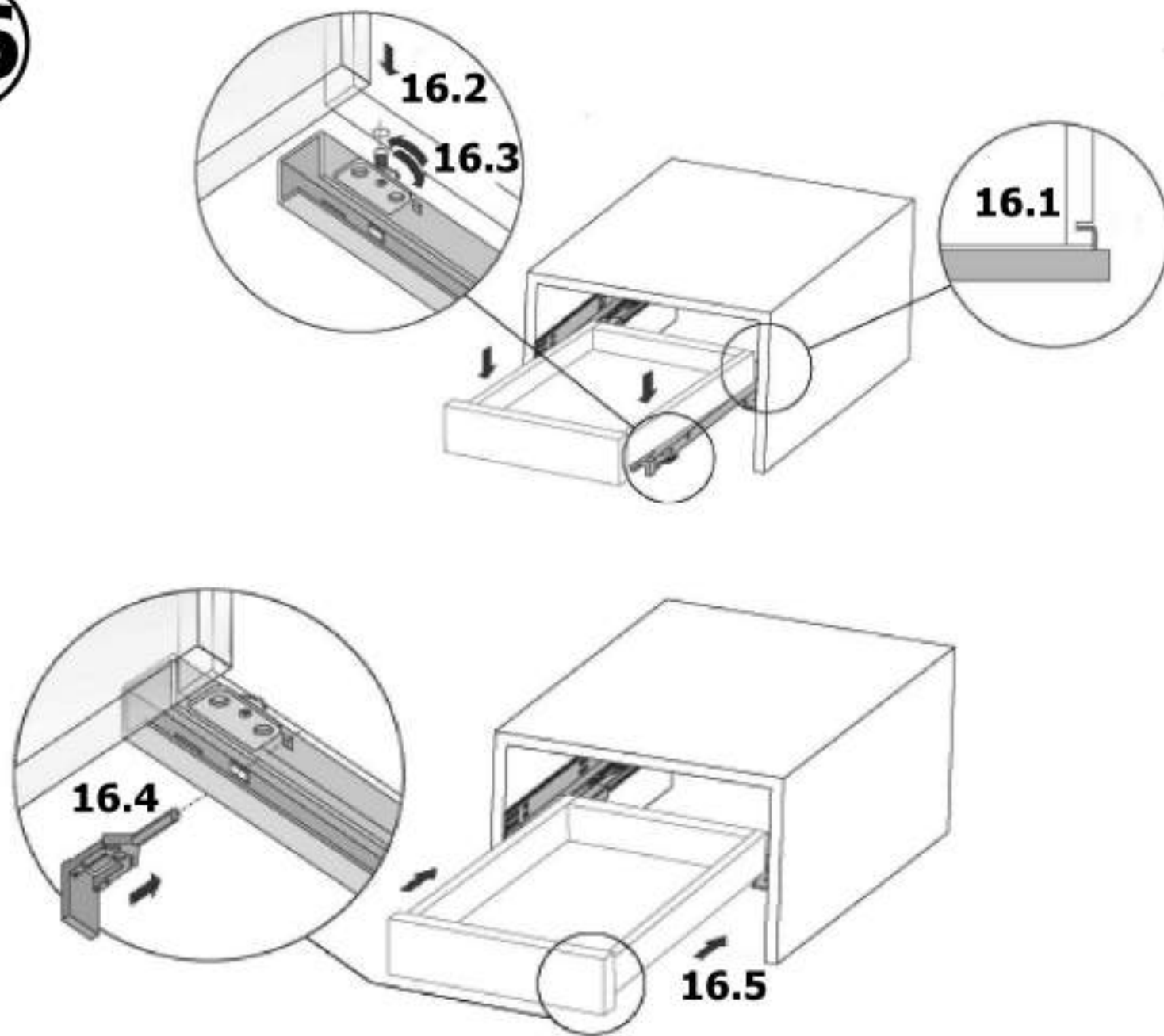


15

X3



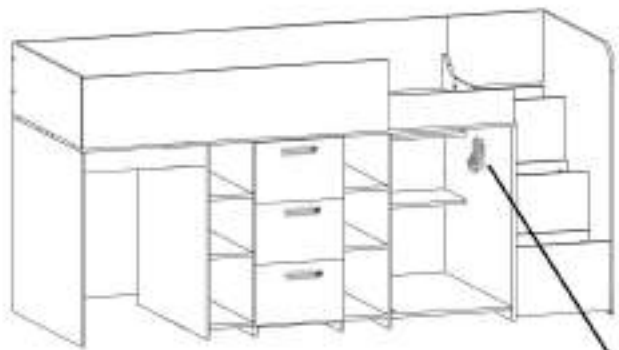
16



17

x8
6*25x8

43



58

18 x3

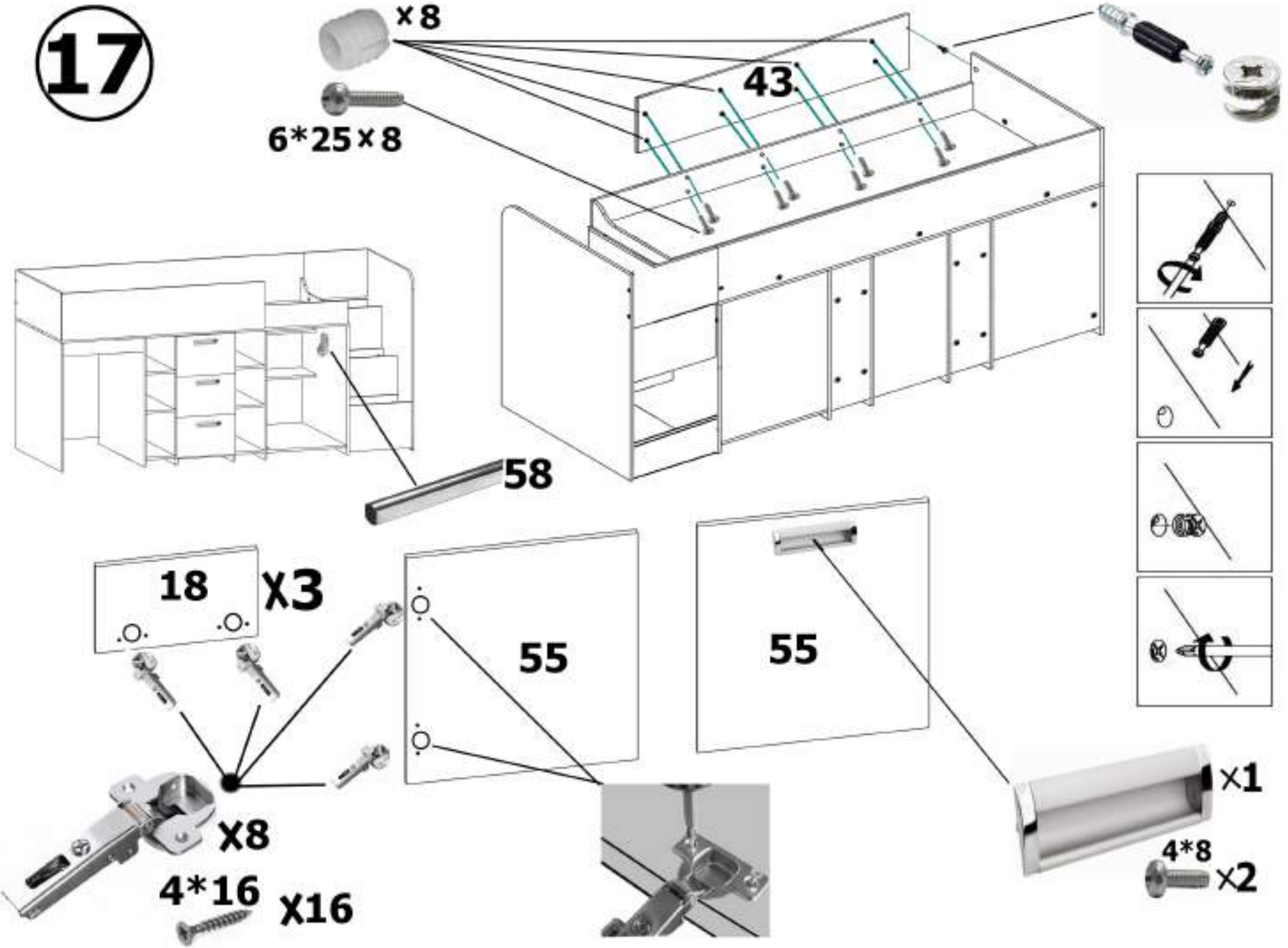
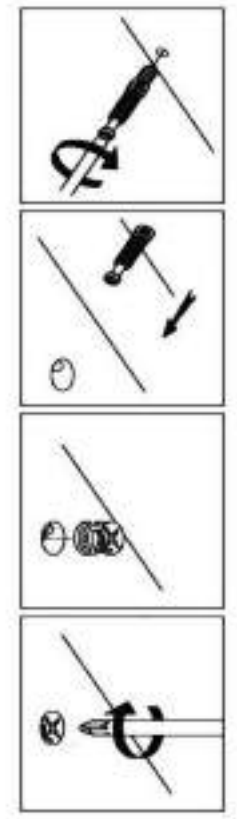
55

55

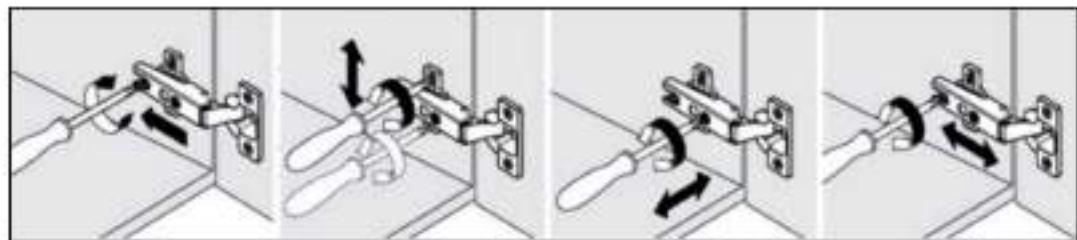
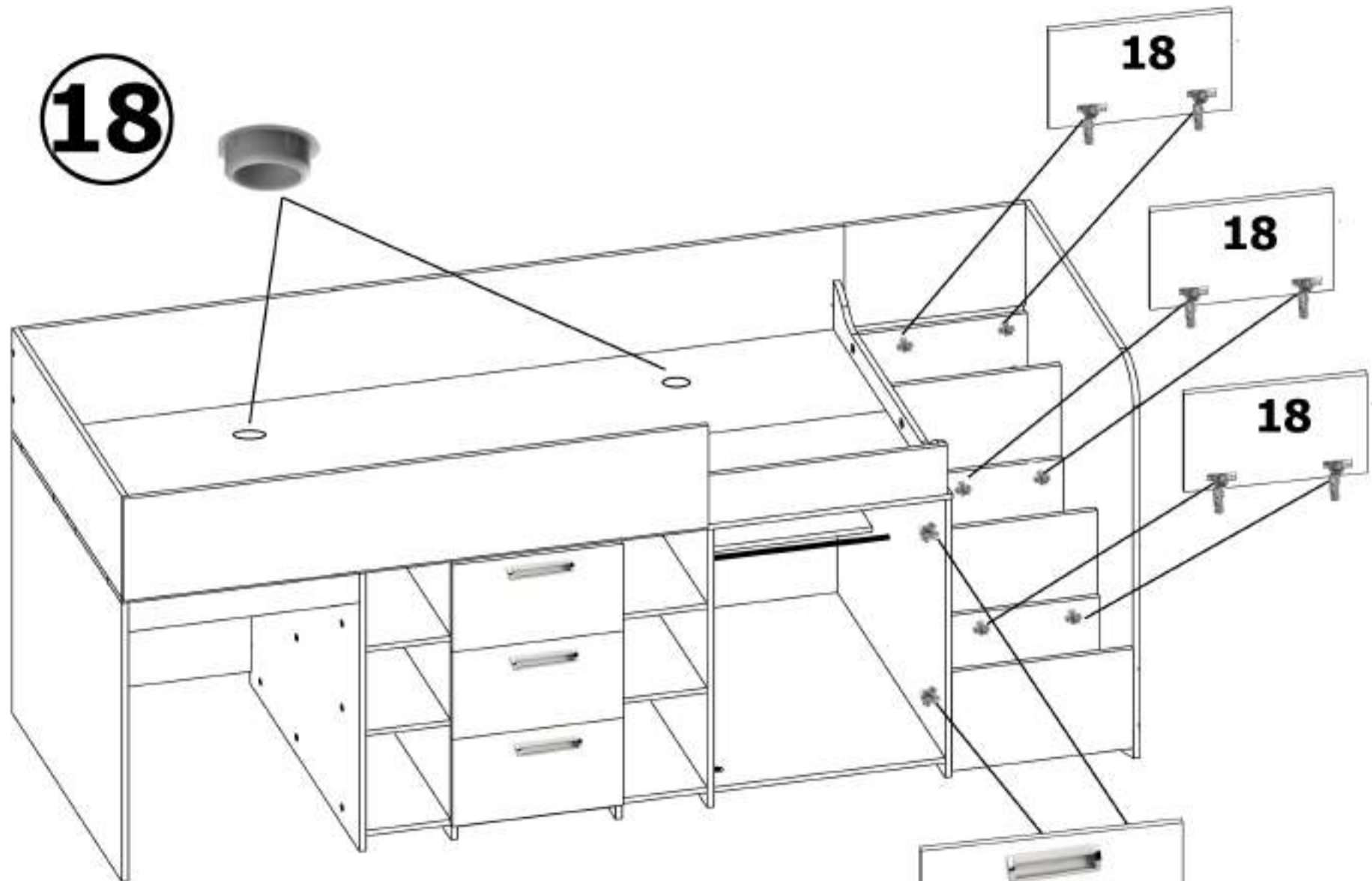
x8
4*16 x16

x1

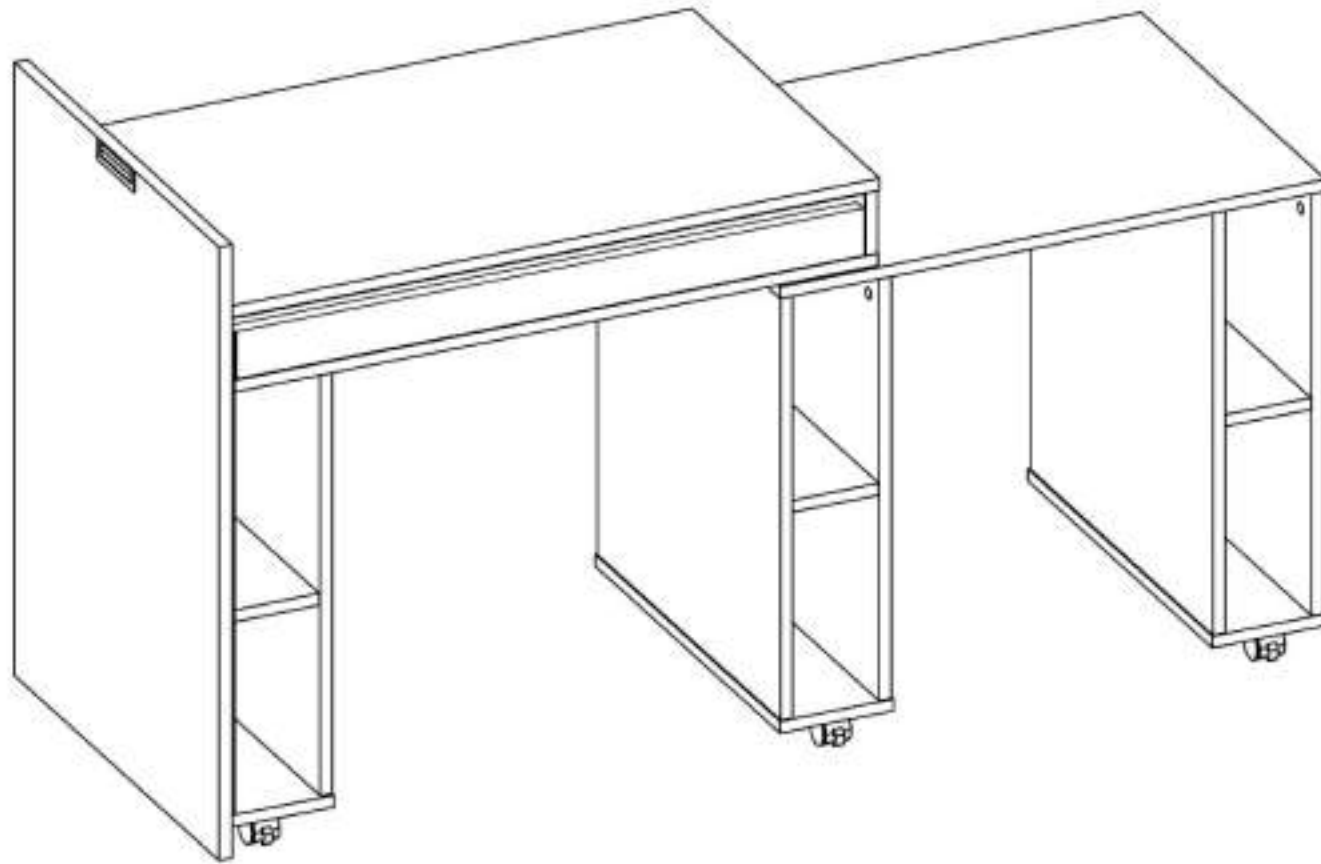
4*8 x2



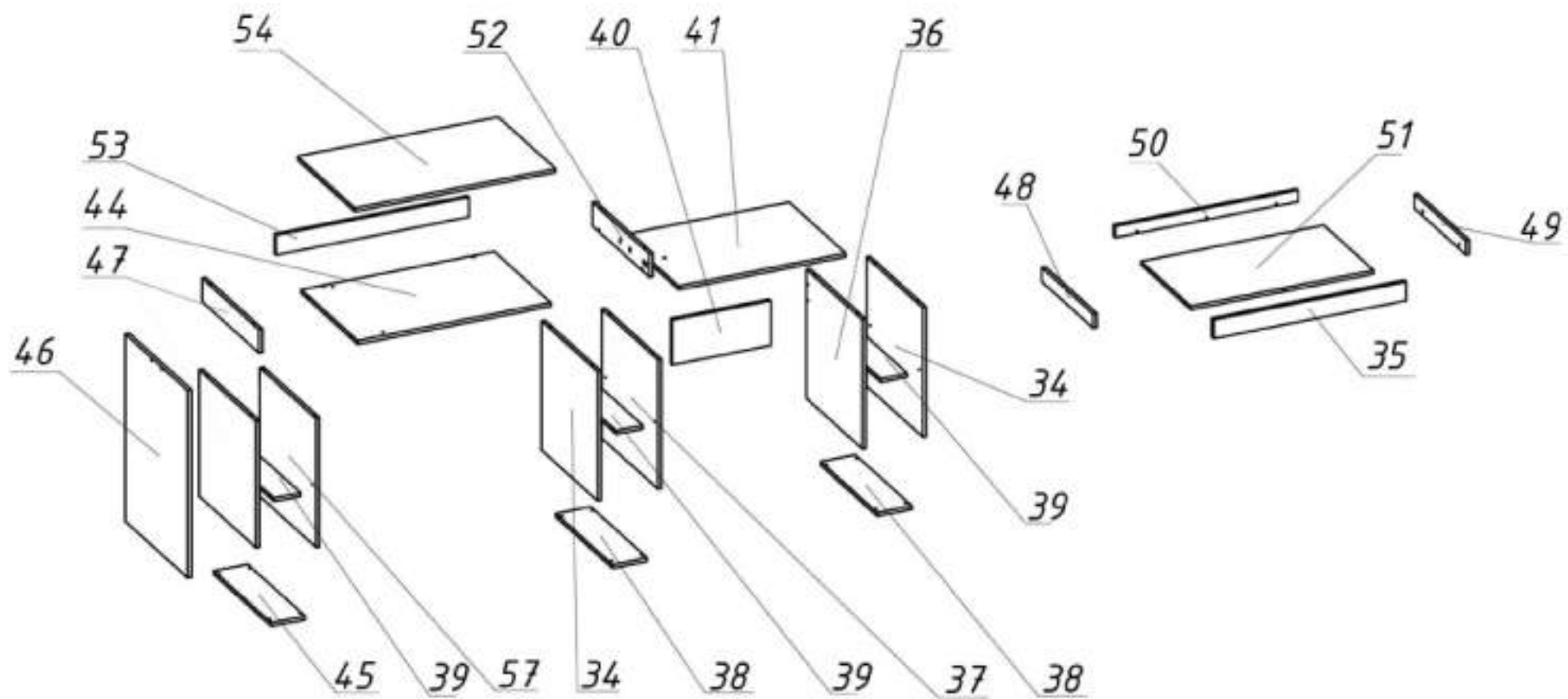
18



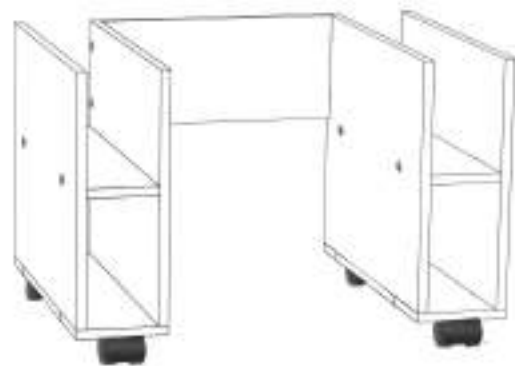
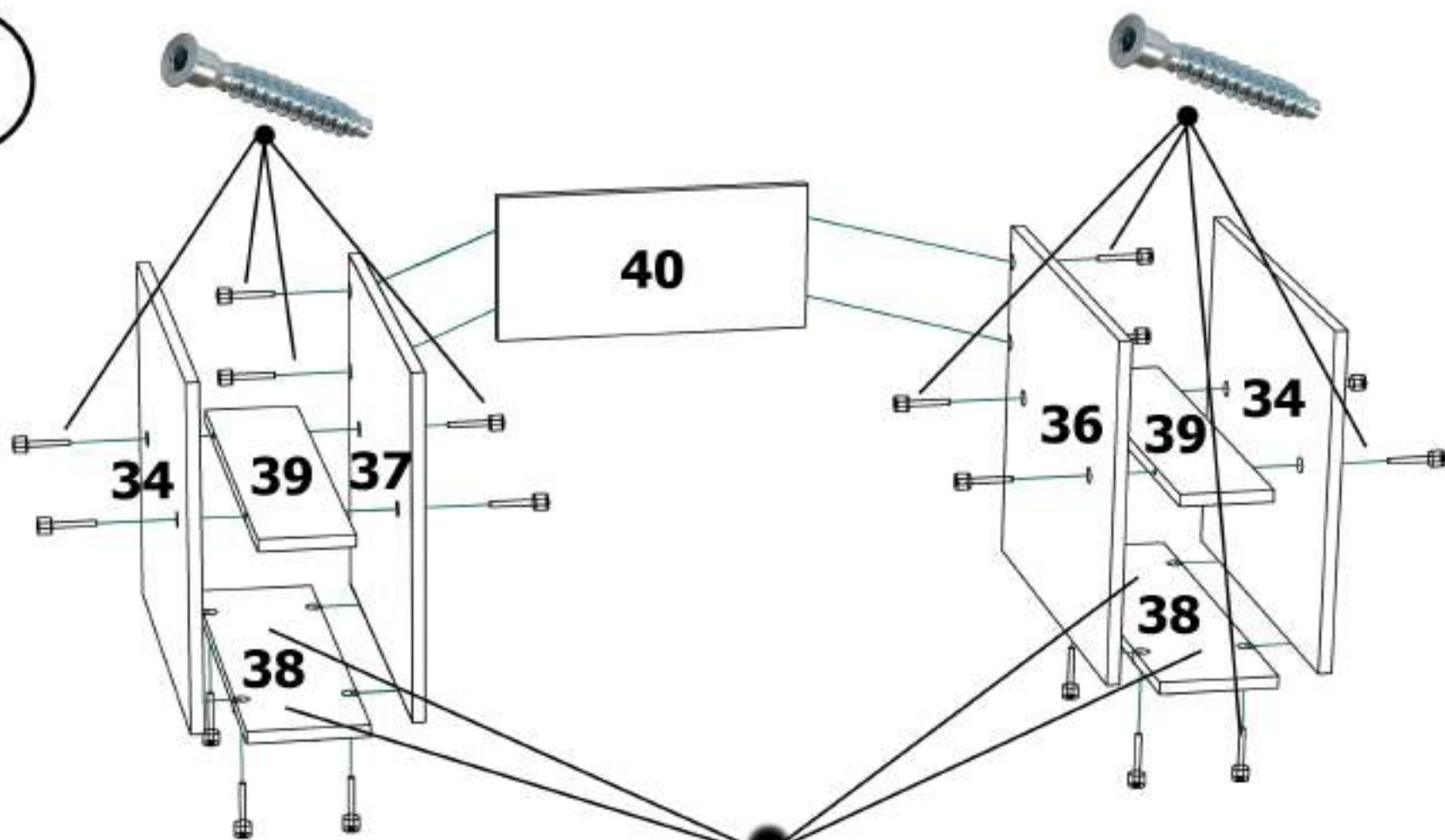
55



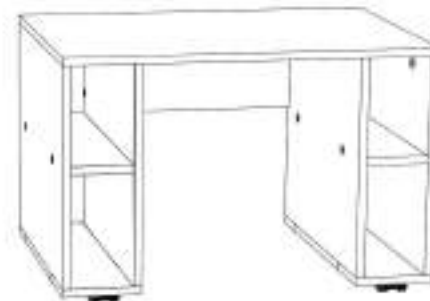
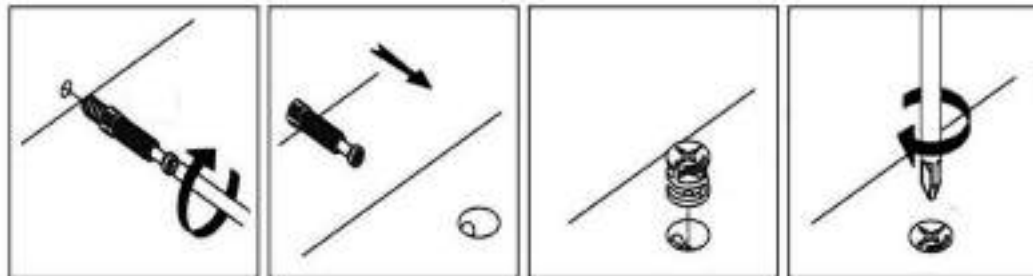
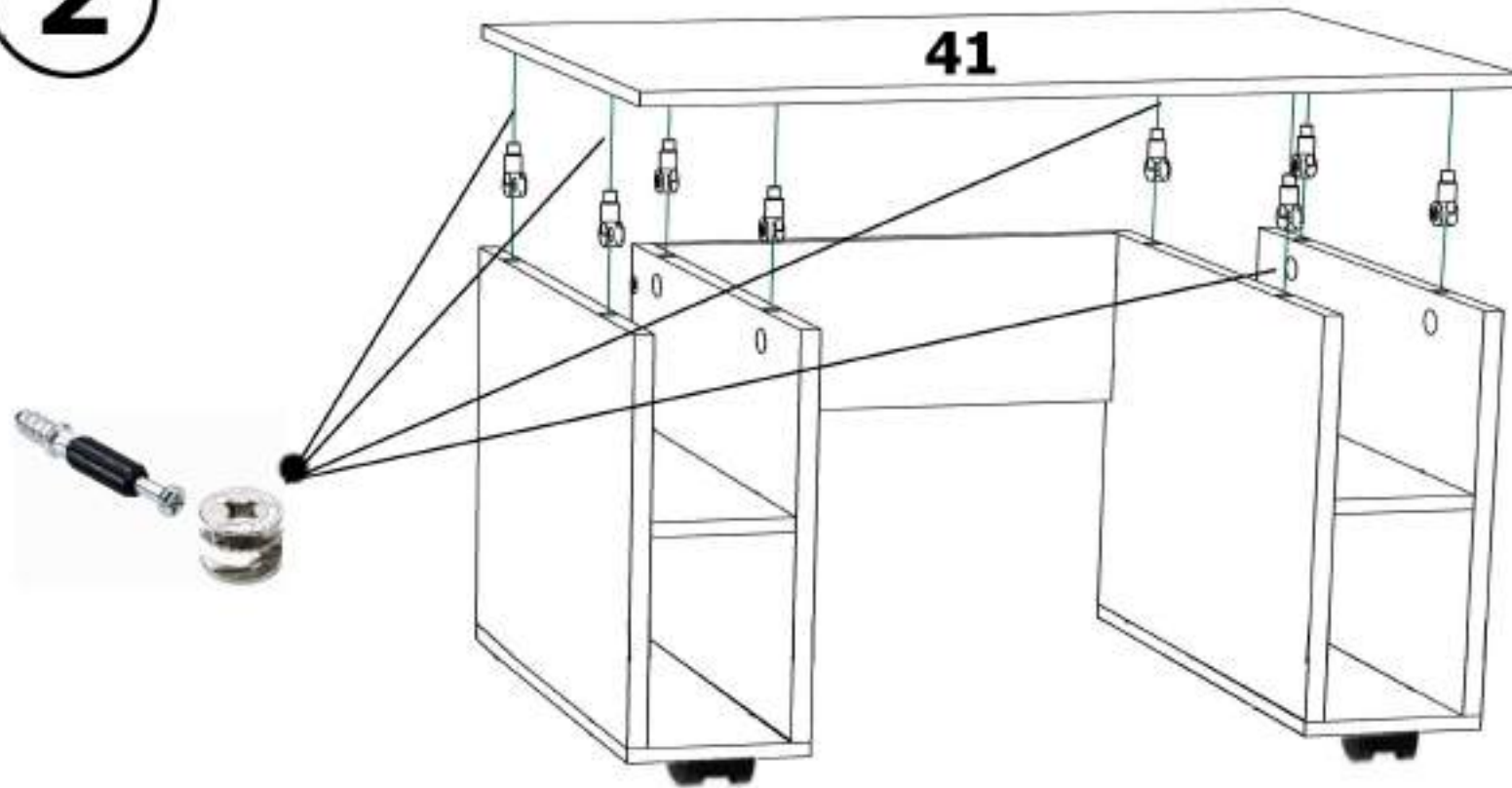
table



1



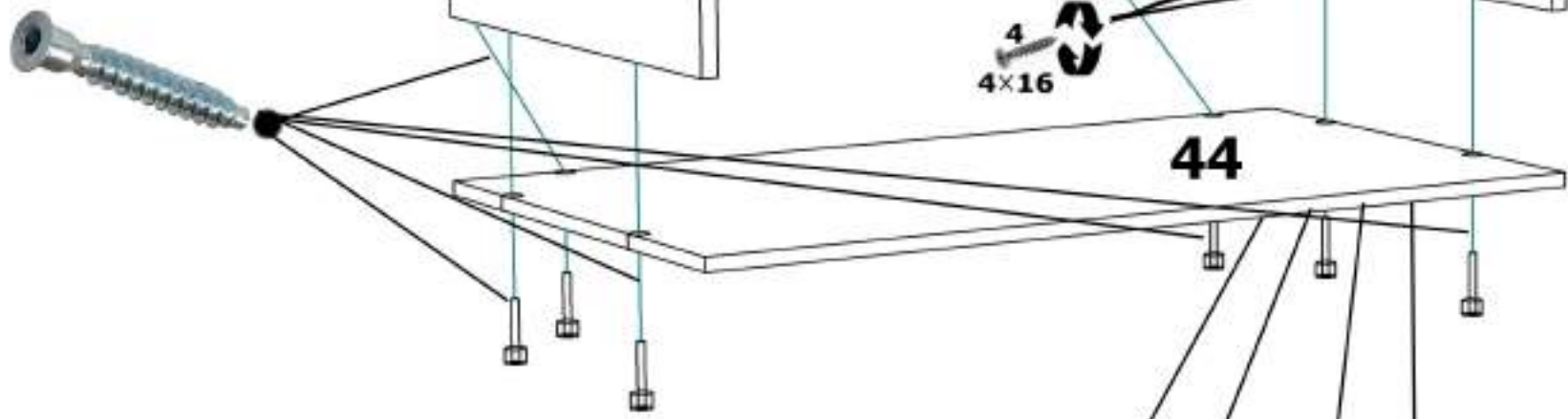
2



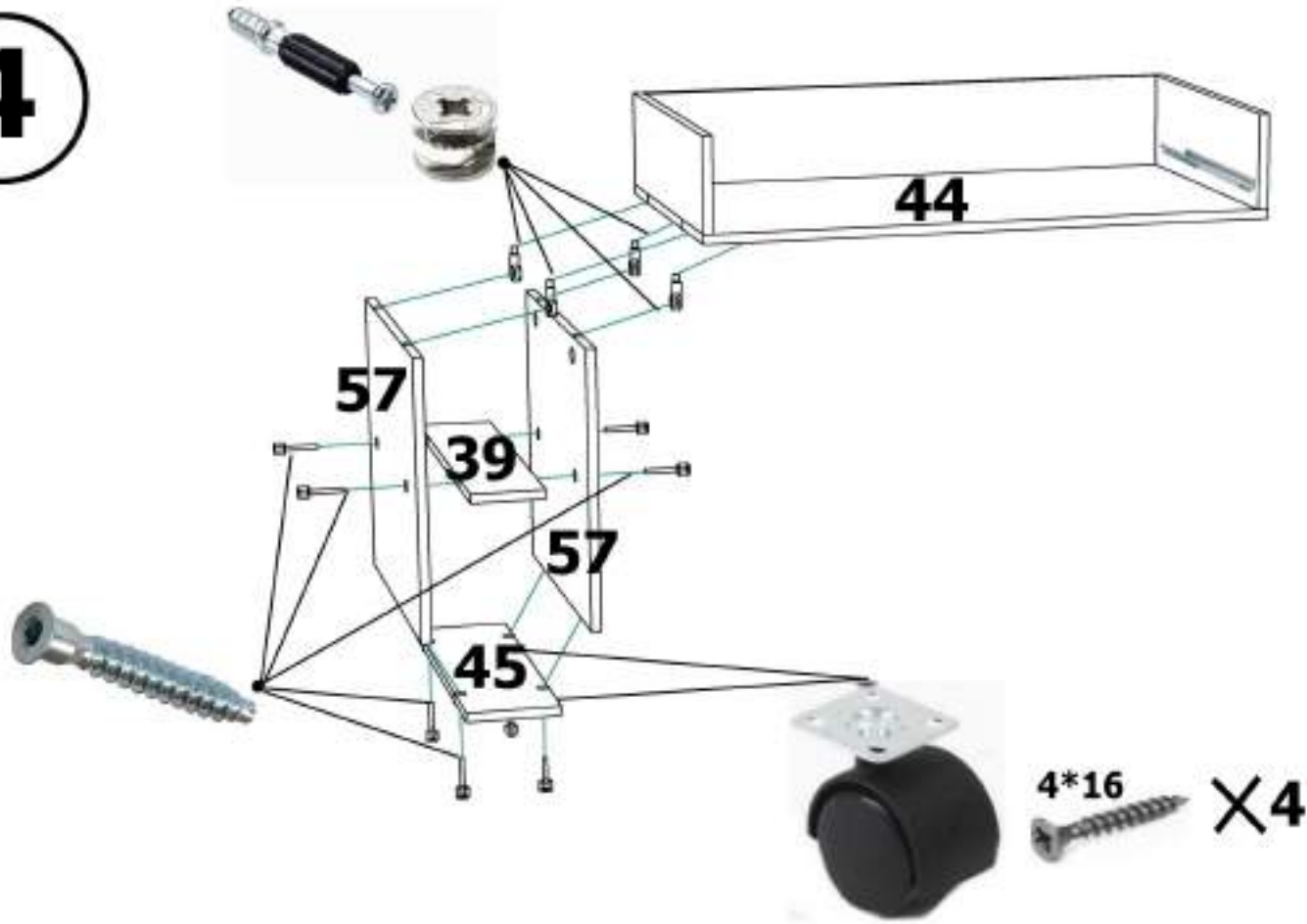
3

450 mmL
4*16 x4

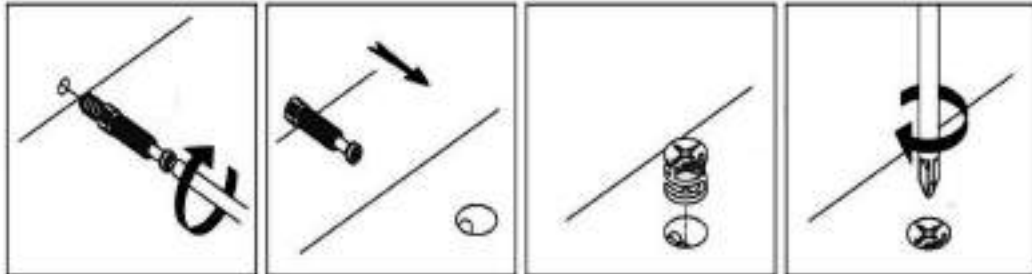
450 mmR
4*16 x4



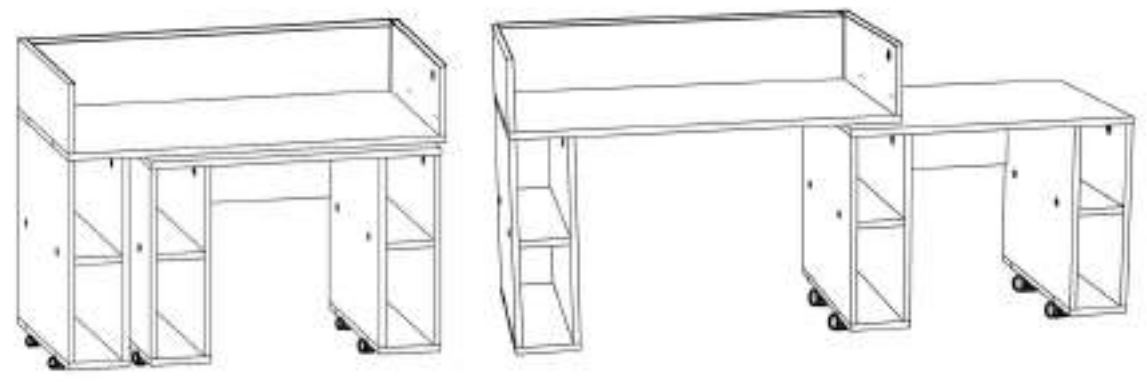
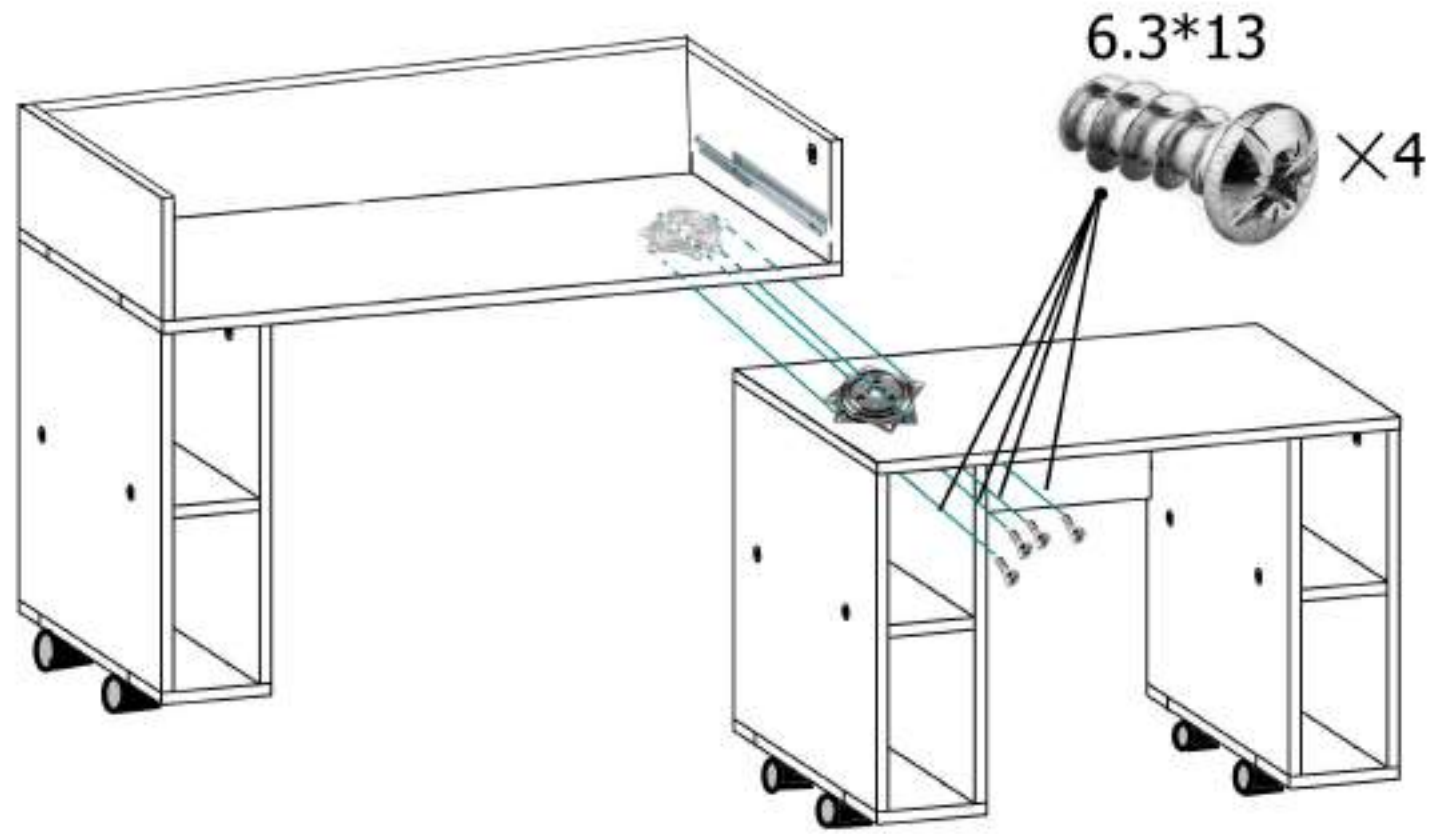
4



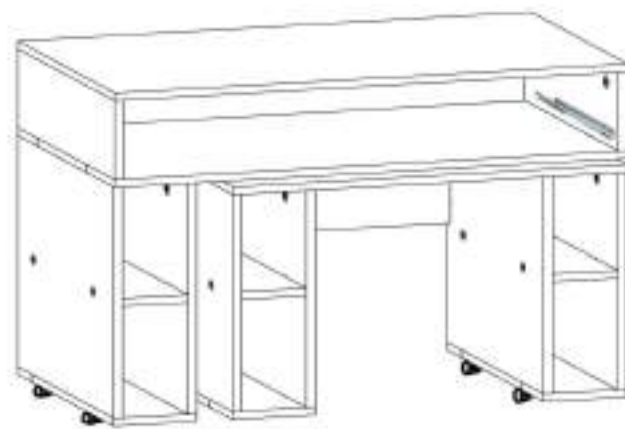
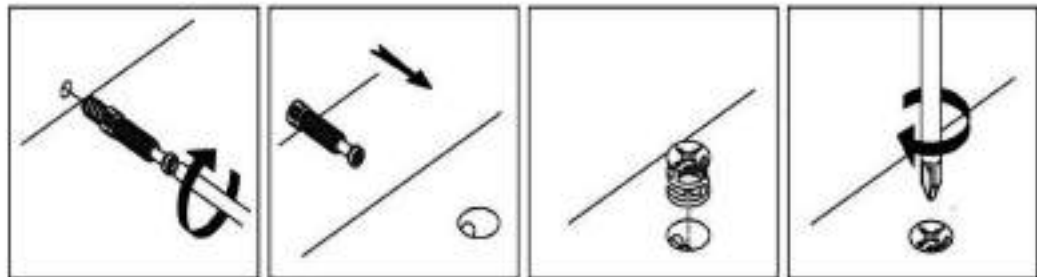
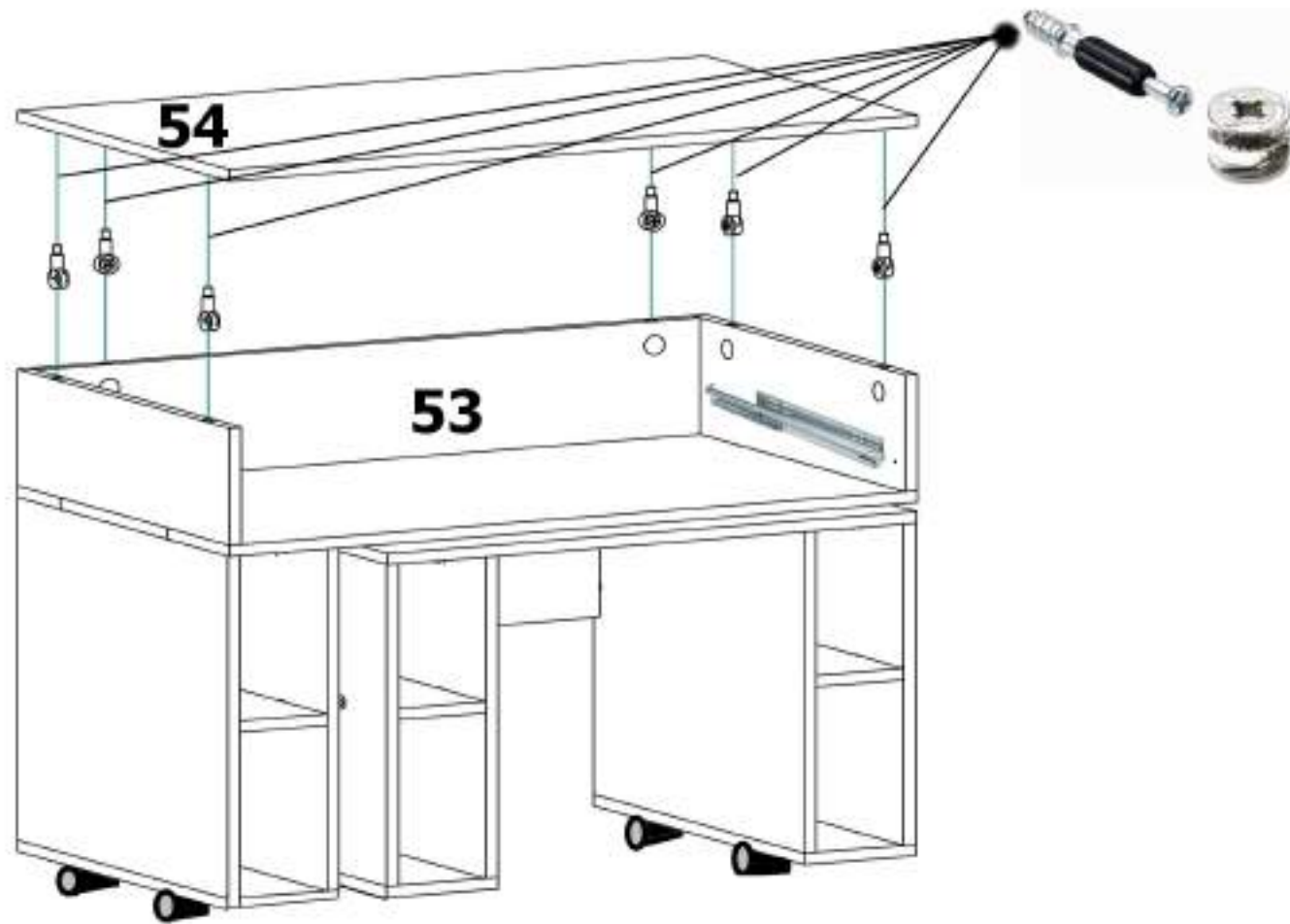
4*16 X4



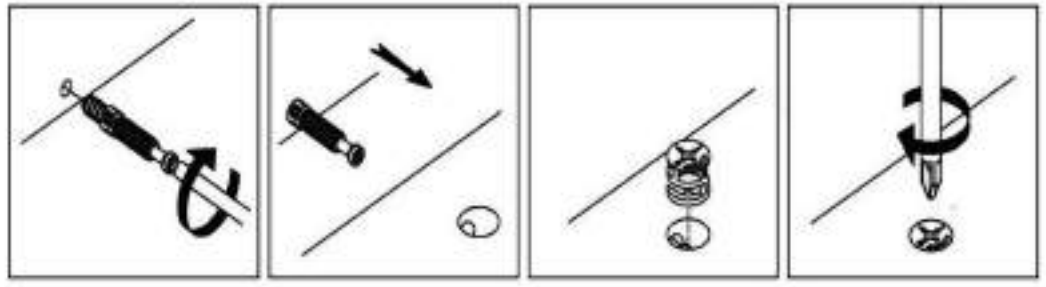
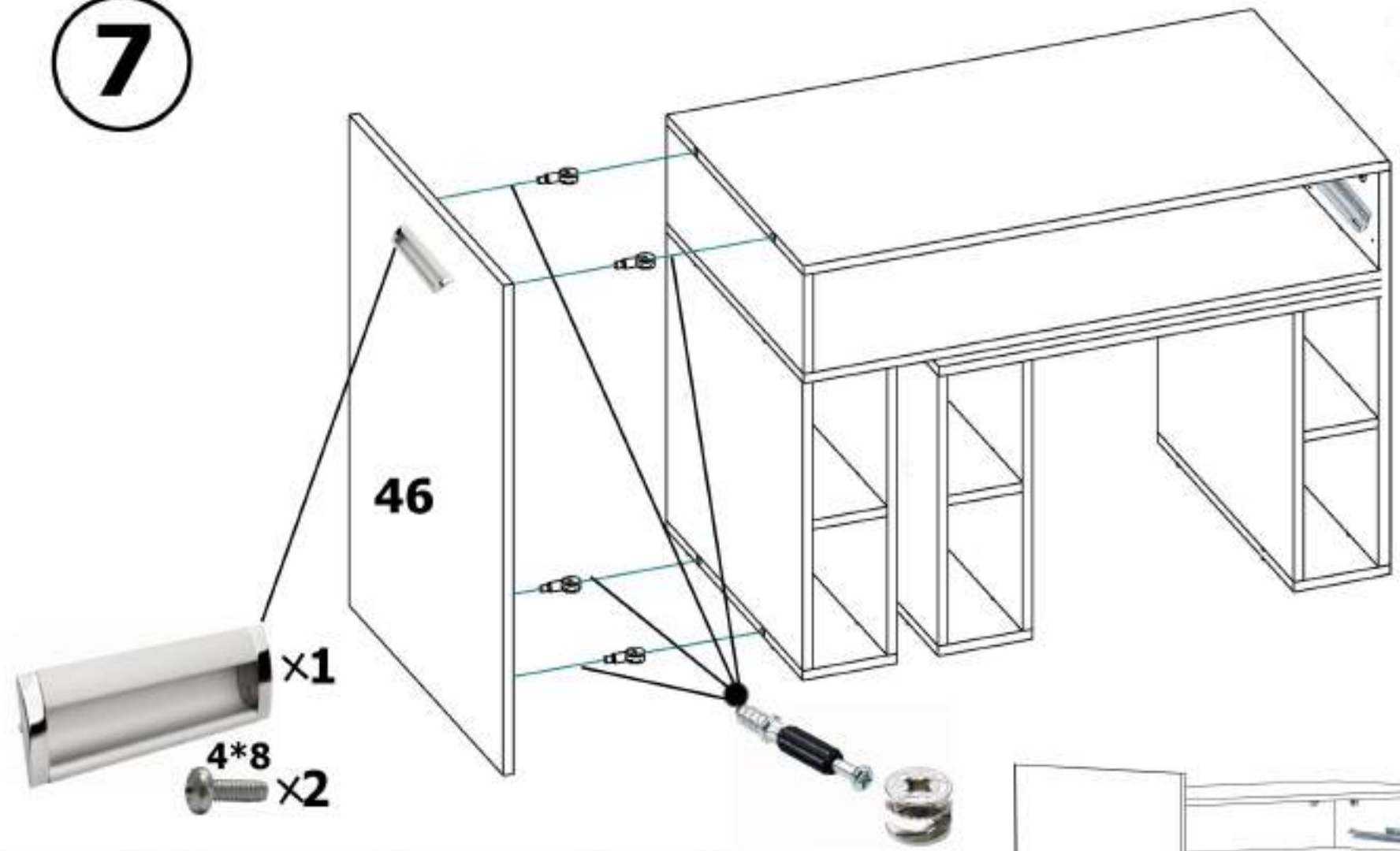
5



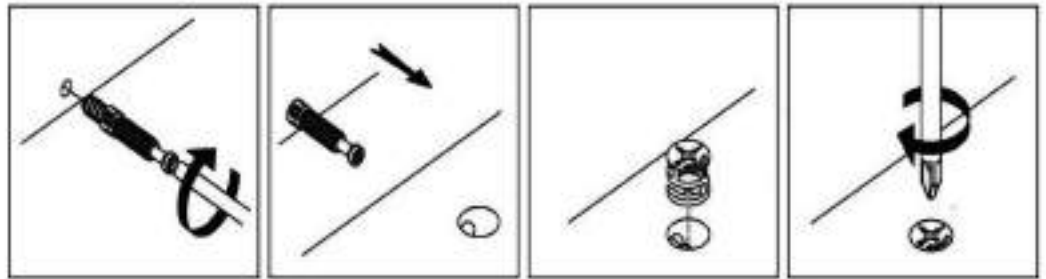
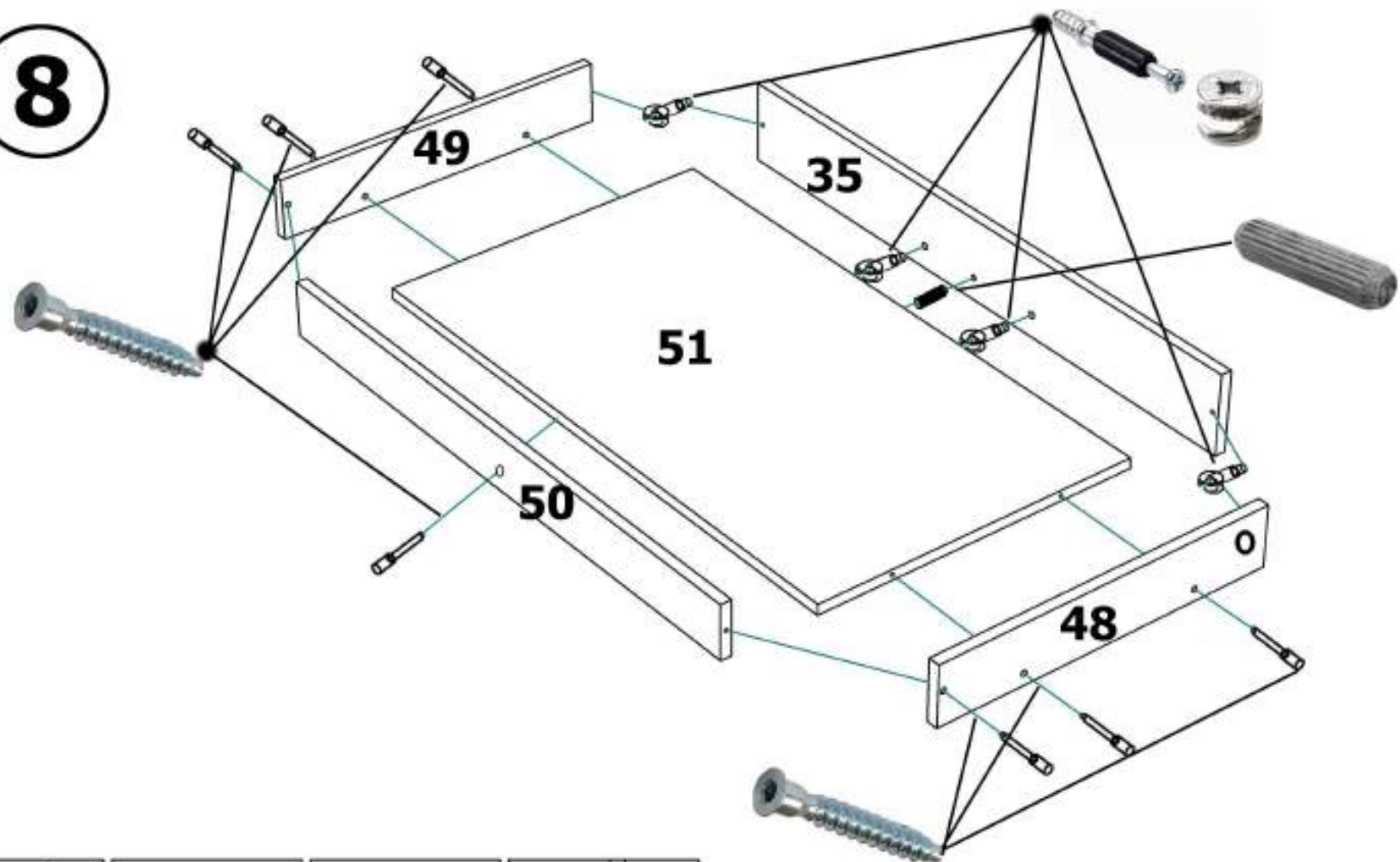
6



7



8



9

